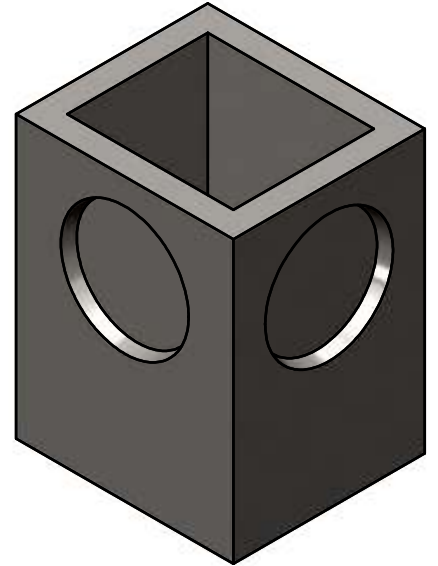
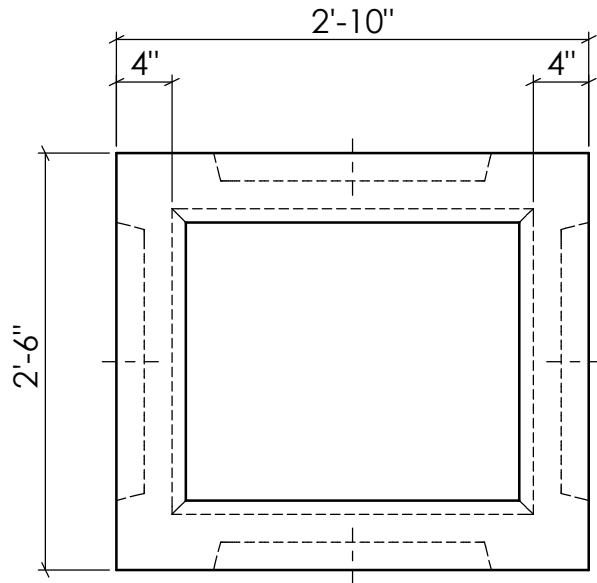


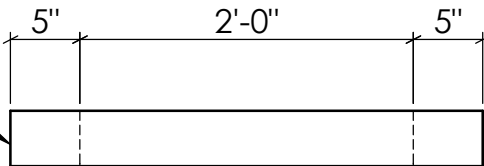


2215 E. BROOKLYN AVE - SPOKANE, WA 99217
 TOLL FREE 1-800-888-4573
 (509) 325-4573 FAX (509) 325-5098
 SPOKANE - LEWISTON - YAKIMA
www.wilbertprecast.com

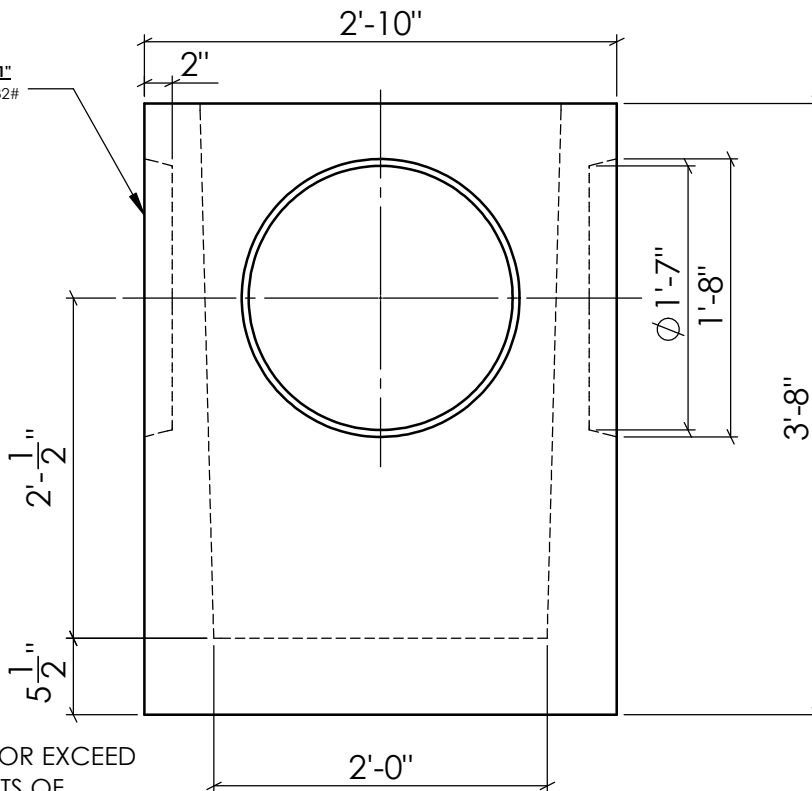


RISER "S"

- 12" HIGH 565# (PRODUCT GARCB-12)
- 6" HIGH 280# (PRODUCT GARCB-6)
- 4" HIGH 190# (PRODUCT GARCB-4)
- 3" HIGH 141# (PRODUCT GARCB-3)
- 2" HIGH 95# (PRODUCT GARCB-2)



CATCH BASIN "TYPE 1"
 PRODUCT #1827 - 1,932#



NOTES:

~ALL UNITS MEET OR EXCEED THE REQUIREMENTS OF ASTM C-913/AASHTO M-199
 ~#3 BAR PLACED PER WSDOT STD PLAN B-5.20-01

TYPE 1 CATCH BASIN
CITY OF SPOKANE VALLEY STD PLAN S-112
SPOKANE COUNTY STD PLAN B-4
WSDOT STD PLAN B-5.20-00

MODEL #:

1827