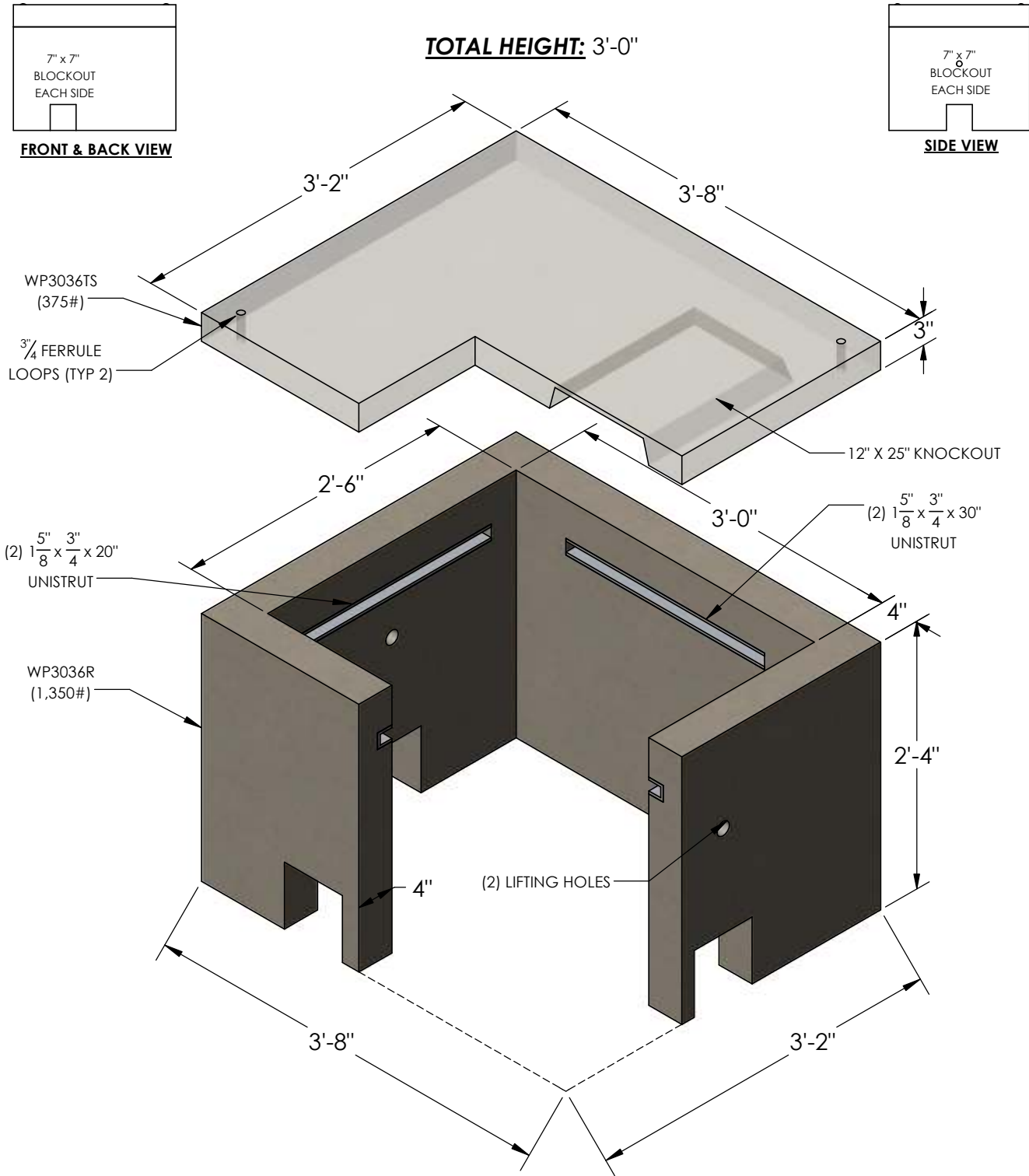




2215 E. BROOKLYN AVE - SPOKANE, WA 99217
 TOLL FREE 1-800-888-4573
 (509) 325-4573 FAX (509) 325-5098
 SPOKANE - LEWISTON - YAKIMA
www.wilbertprecast.com



NOTES:
 ~ REINFORCEMENT
 - #4 BAR VERTICAL TYP.
 - #5 BAR (2 PCS HORIZONTAL)
 ~ H20 RATED FOR INCIDENTAL TRAFFIC ONLY

HANDHOLE RISER WITH SOLID TOP

MODEL #:

WP3036R TS