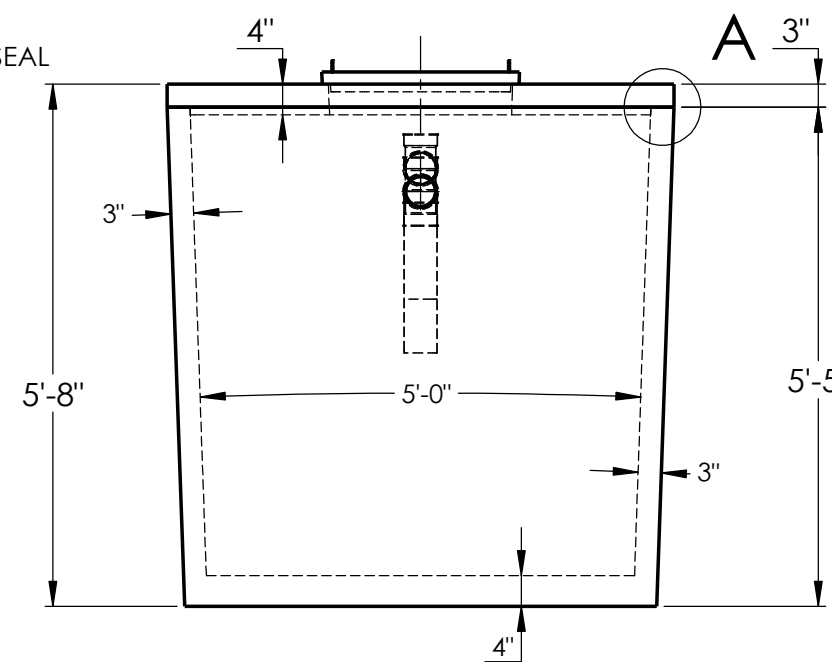
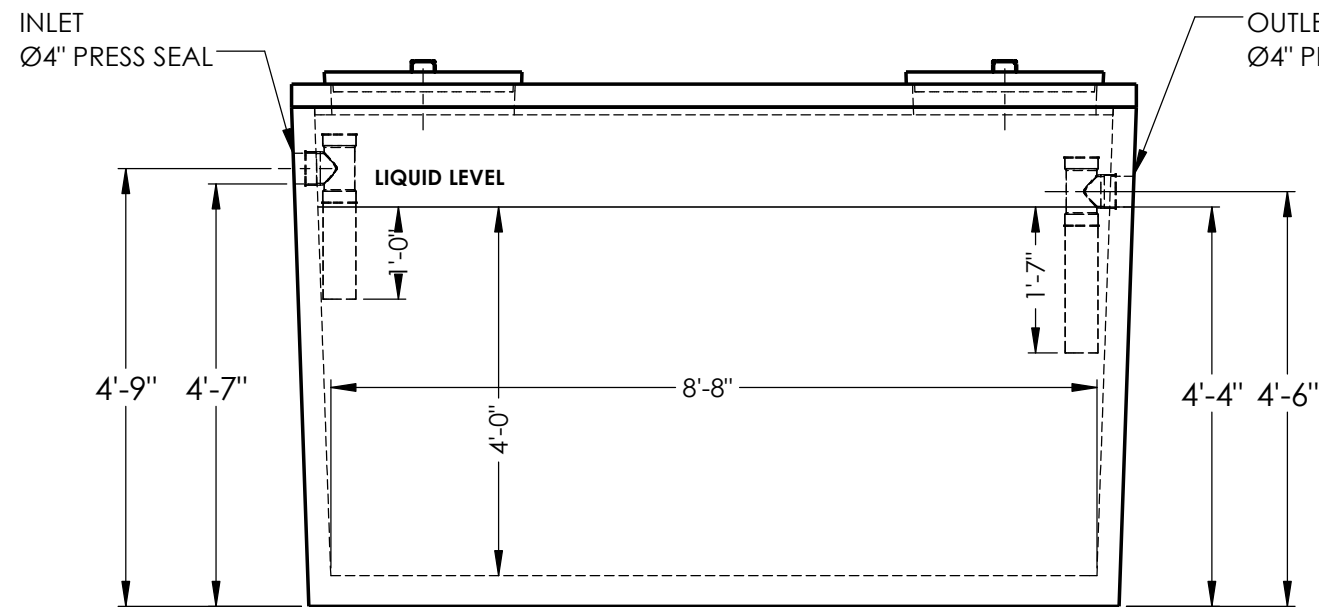
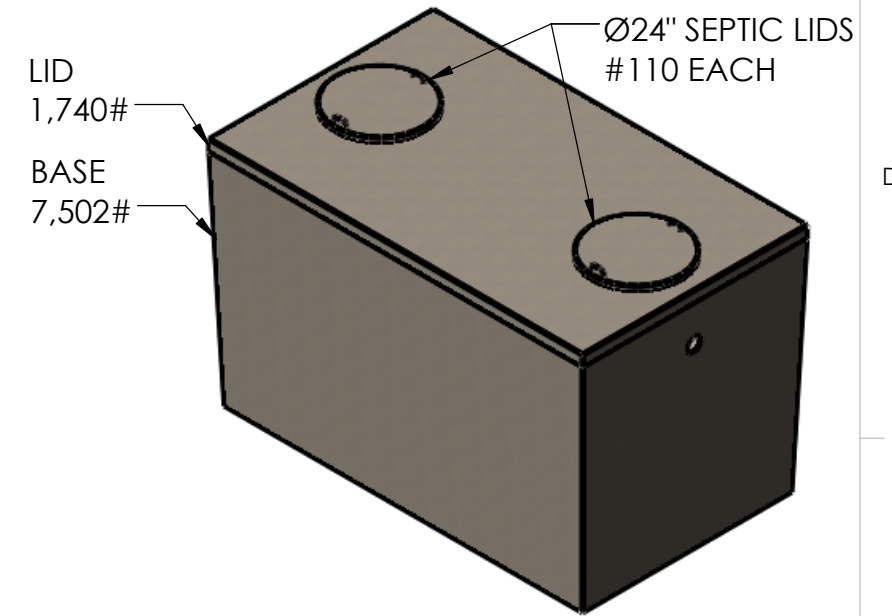
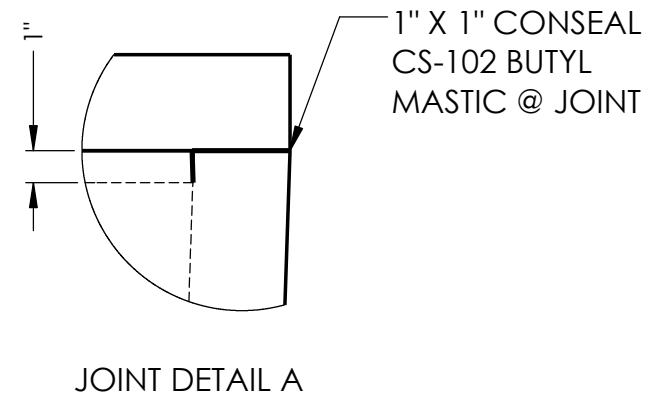
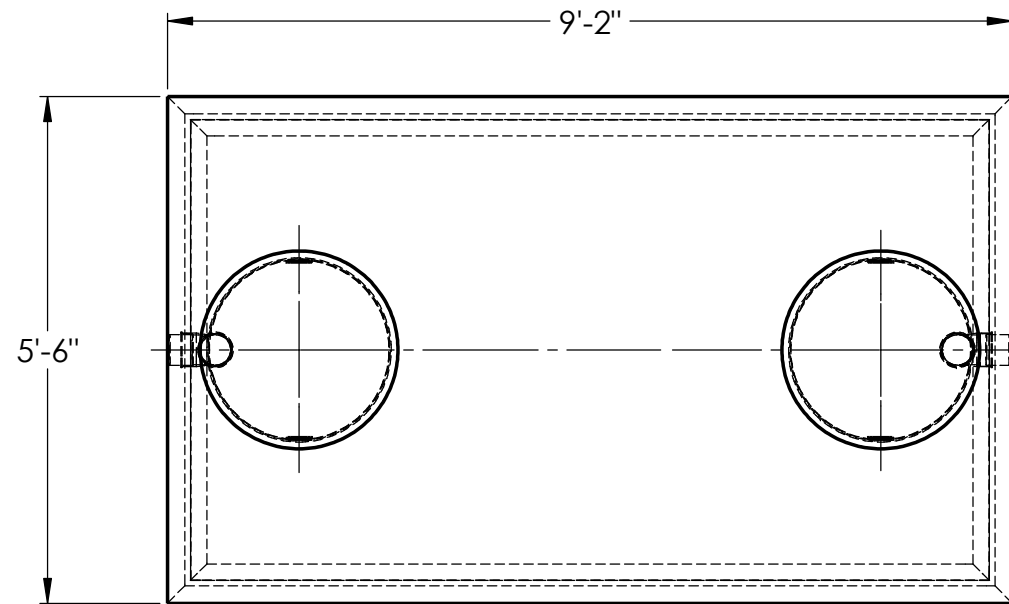


***WARRANTY - ALL TANKS MUST BE BACKFILLED AND COMPACTED PRIOR TO FILLING OR WARRANTY IS VOID.**



CONCRETE:

TANK CONSTRUCTION UTILIZES 4000 PSI CONCRETE AND GRADE 60 REBAR.

GALLON CALCS:

5'-0\"/>

RISERS:

PVC: Ø24\"/>

BEDDING:

4\"/>

EXCAVATION:

12\"/>

NOTES:

- REINFORCING:
- #4 BARS @ 6\"/>
- 6x6 10 GA WIRE MESH IN SIDES UP 12\"/>
- 6x6 10 GA WIRE MESH IN BOTTOM
- #3 BAR 12\"/>
- HORIZONTAL CONTINUOUS LOOP



**2215 E. BROOKLYN AVE
SPOKANE, WA 99217
TOLL FREE 1-800-888-4573
(509) 325-4573 FAX (509) 325-5098
SPOKANE - LEWISTON - YAKIMA
www.wilbertprecast.com**

DRAWN BY:
CEB

TITLE:

1,250 GALLON SINGLE COMPARTMENT
MONO SEPTIC TANK

SIZE

B

DWG. NO.

#1630MS

SCALE:

NTS

DATE:

1/4/2018