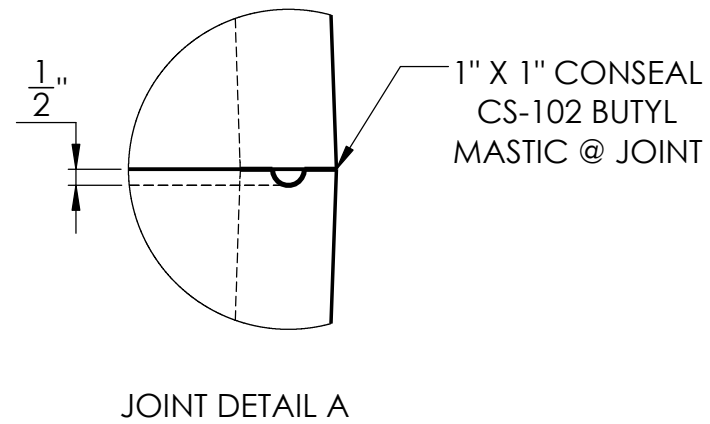
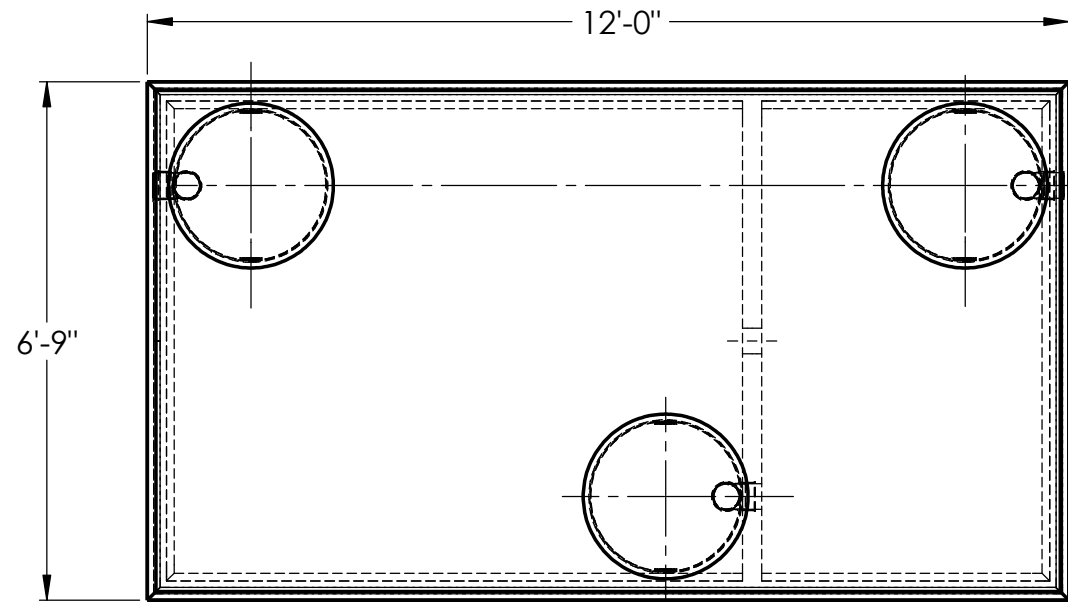
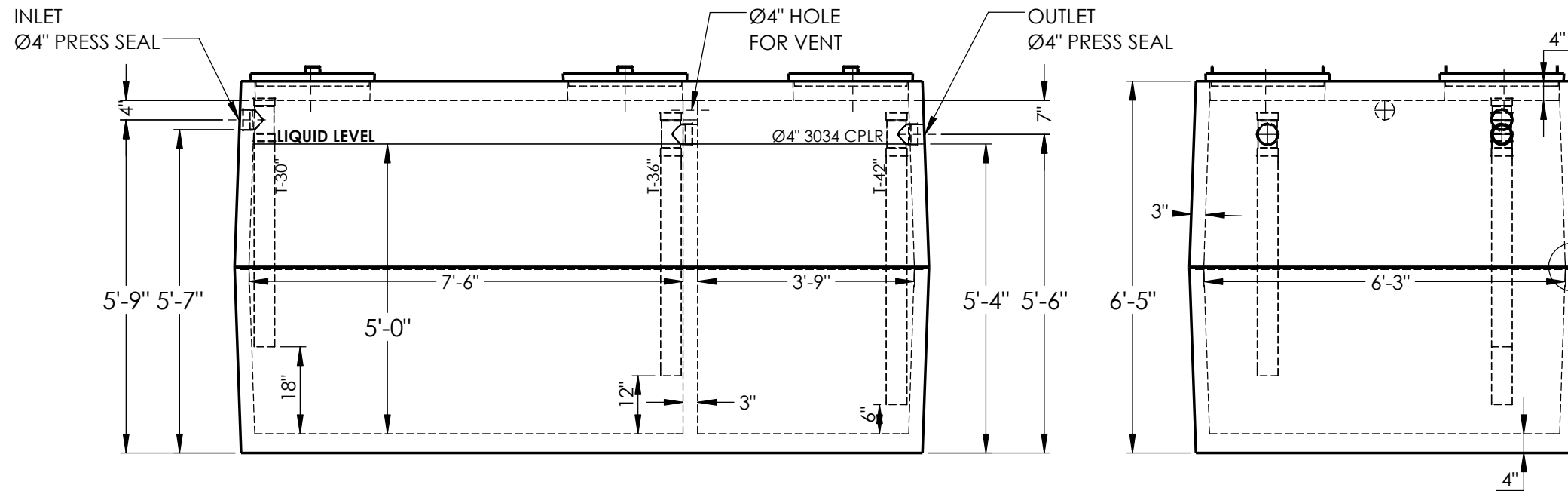
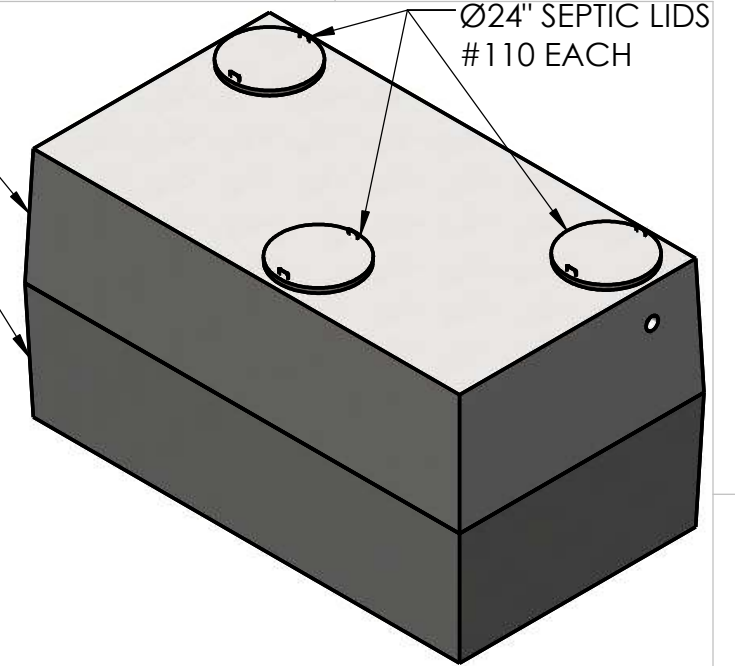


WARRANTY: ALL TANKS MUST BE BACKFILLED AND COMPACTED PRIOR TO FILLING OR WARRANTY IS VOID.



LID
7,947#
BASE
8,396#



CONCRETE:

TANK CONSTRUCTION UTILIZES 4000 PSI CONCRETE AND GRADE 60 REBAR.

GALLON CALCS:

6'-3"W x 7'-6"L x 5'-0" x 7.48 = 1,753 GALLONS
6'-3"W x 3'-9"L x 5'-0" x 7.48 = 877 GALLONS

RISERS:

PVC: Ø24" & FIBER COVER (TO GRADE)
CONCRETE: Ø24" x 8" OR 12" (6" BELOW GRADE)

BEDDING:

4" PEA GRAVEL (NO WATER PRESENT)

EXCAVATION:

12" LARGER EACH WAY THAN TANK DIM.
MAX COVER ON TOP 3'-0"

NOTES:

REINFORCEMENT:
-#4 BARS @ 6" O.C.E.W. U-BARS IN TOP,
(2) #4 EACH SIDE OF ACCESS
-#4 BARS @ 6" O.C.E.W. IN SIDES
-#4 BARS @ 6" O.C.E.W. U-BARS IN BOTTOM



2215 E. BROOKLYN AVE
SPOKANE, WA 99217
TOLL FREE 1-800-888-4573
(509) 325-4573 FAX (509) 325-5098
SPOKANE - LEWISTON - YAKIMA
www.wilbertprecast.com

DRAWN BY:
CEB

TITLE:

2500 GALLON DOUBLE COMPARTMENT
2-PIECE GREASE INTERCEPTOR

SIZE

B

DWG. NO.

#1641GT 4"

SCALE:

NTS

DATE:

3/27/2018