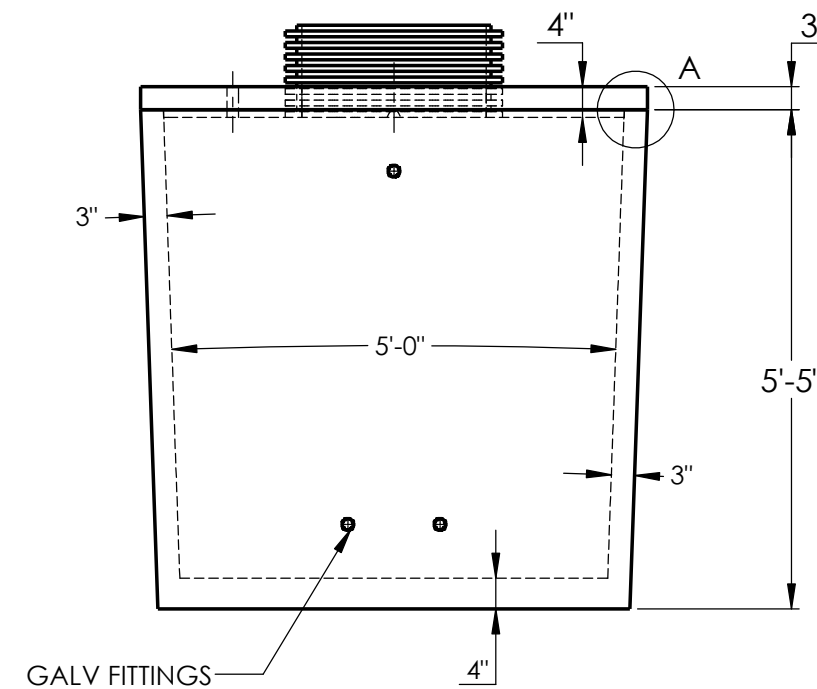
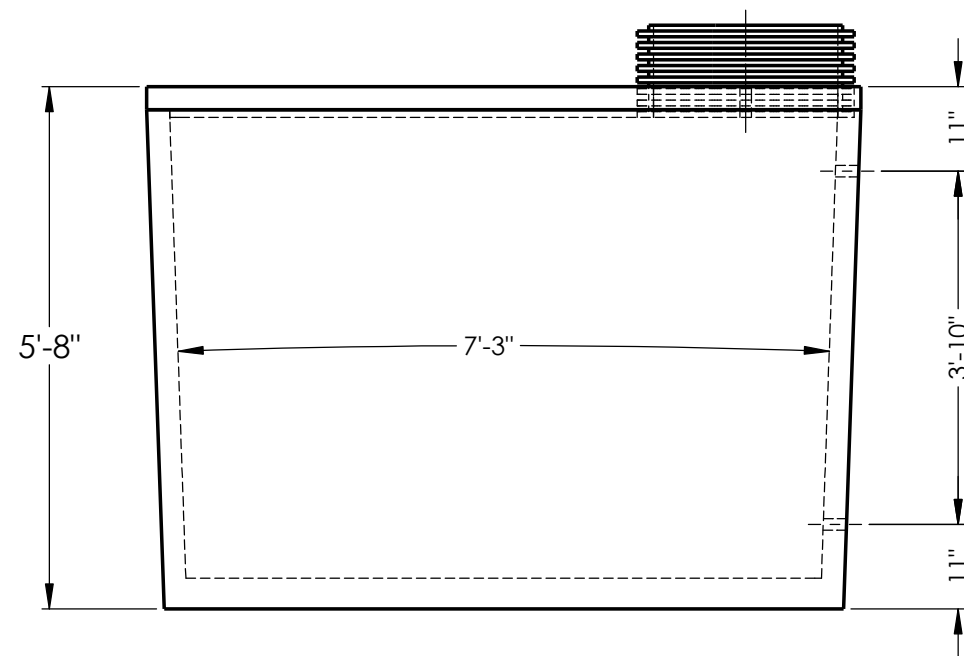
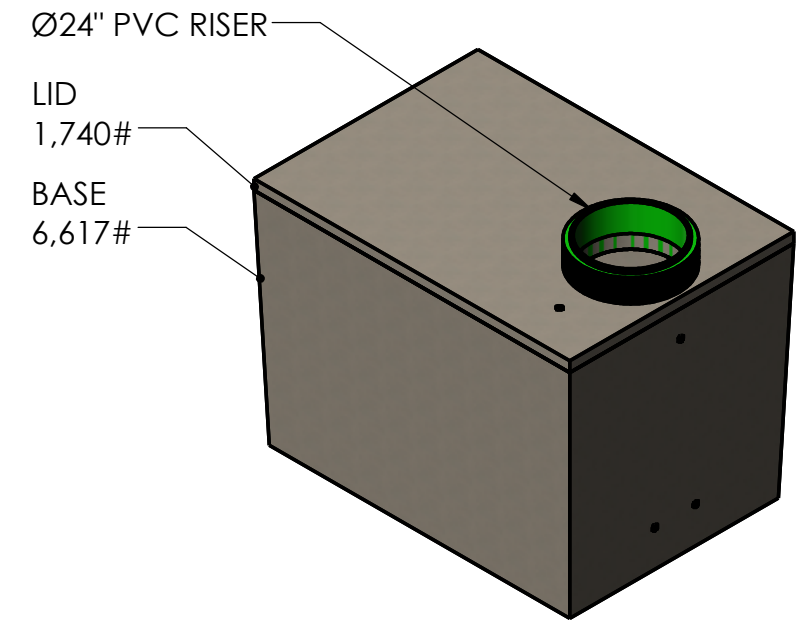
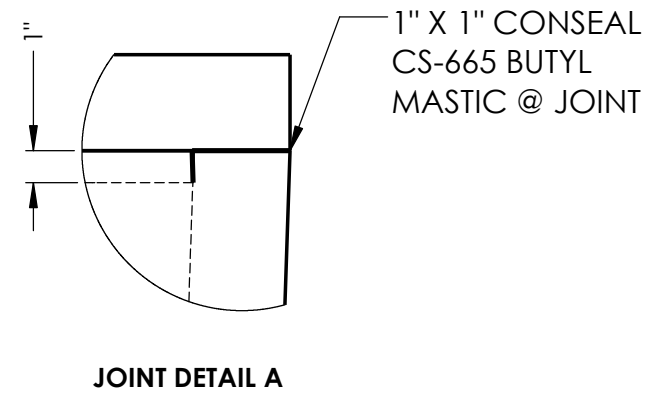
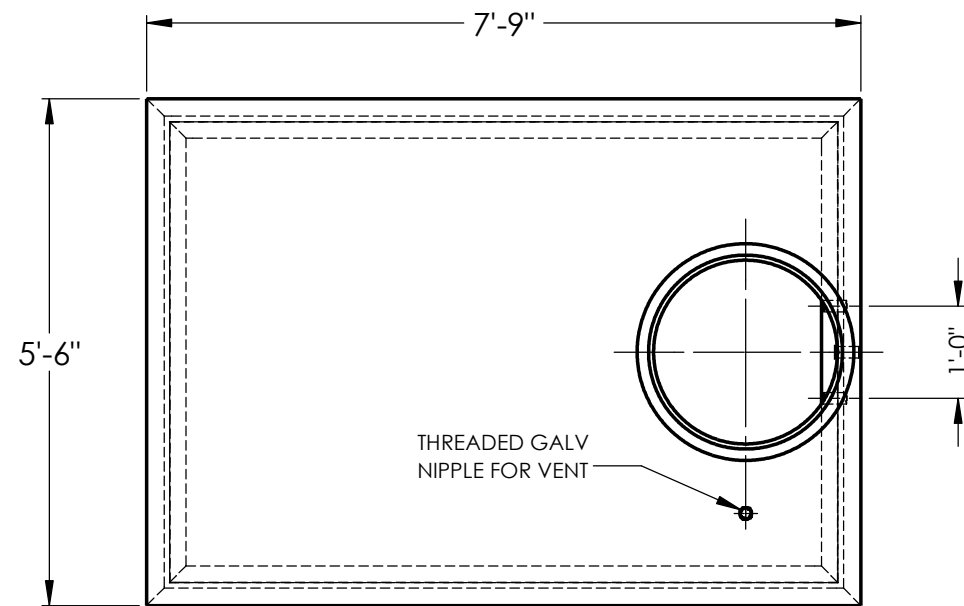


***WARRANTY - ALL TANKS MUST BE BACKFILLED AND COMPACTED PRIOR TO FILLING OR WARRANTY IS VOID.**



BEDDING:
4" PEA GRAVEL (NO WATER PRESENT)

GALVANIZED FITTING OPTIONS:
Ø1", 1 1/4", 1 1/2", 2". CUSTOM TANKS FITTINGS CAN BE LOCATED ANYWHERE IN TANK

TOP ACCESS HOLE OPTIONS:
FLANGE ADAPTERS Ø24" OR Ø30"
PVC RISERS Ø24" OR Ø30"
LIDS CAN BE INSULATED OR NON-INSULATED

EXCAVATION:
12" LARGER EACH WAY THAN TANK DIM.
MAX COVER ON TOP 3'-0"

NOTES:
REINFORCING:
- #4 BARS @ 6" O.C.E.W. IN TOP, (2) #4 EACH SIDE OF ACCESS
- 6x6 10 GA WIRE MESH IN SIDES UP 12" FROM BOTTOM
- 6x6 10 GA WIRE MESH IN BOTTOM
- #3 BAR 12" DOWN FROM TOP
HORIZONTAL CONTINUOUS LOOP



**2215 E. BROOKLYN AVE
SPOKANE, WA 99217
TOLL FREE 1-800-888-4573
(509) 325-4573 FAX (509) 325-5098
SPOKANE - LEWISTON - YAKIMA
www.wilbertprecast.com**

DRAWN BY:
CEB

TITLE: 1200 GALLON MONO WATER TANK

SIZE B	DWG. NO. #1701M	SCALE: NTS	DATE: 4/2/2019
------------------	---------------------------	----------------------	--------------------------