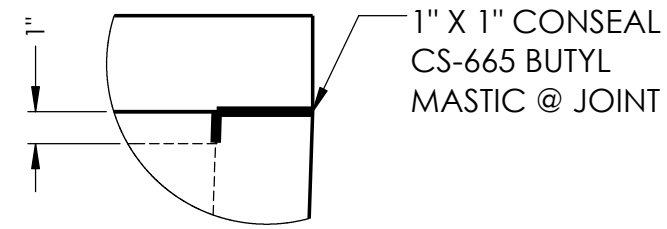
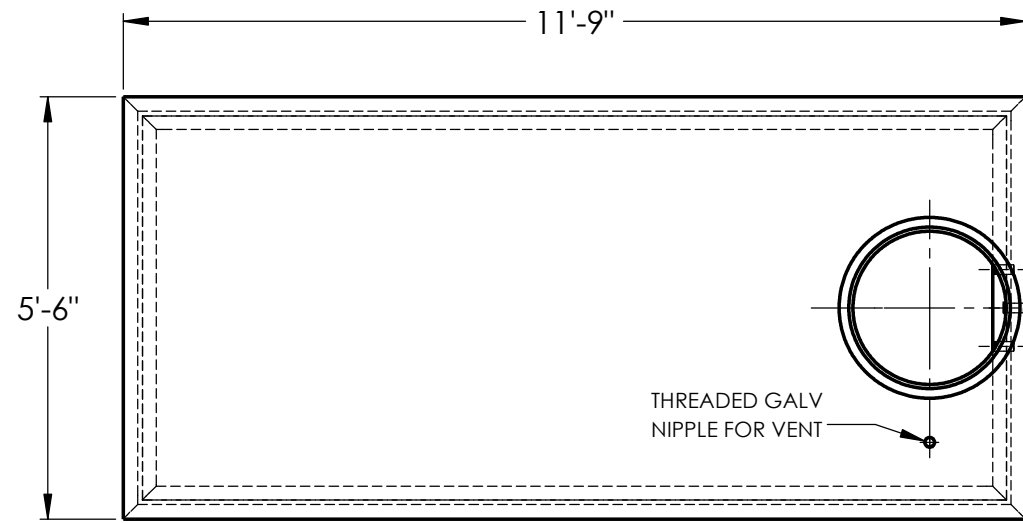
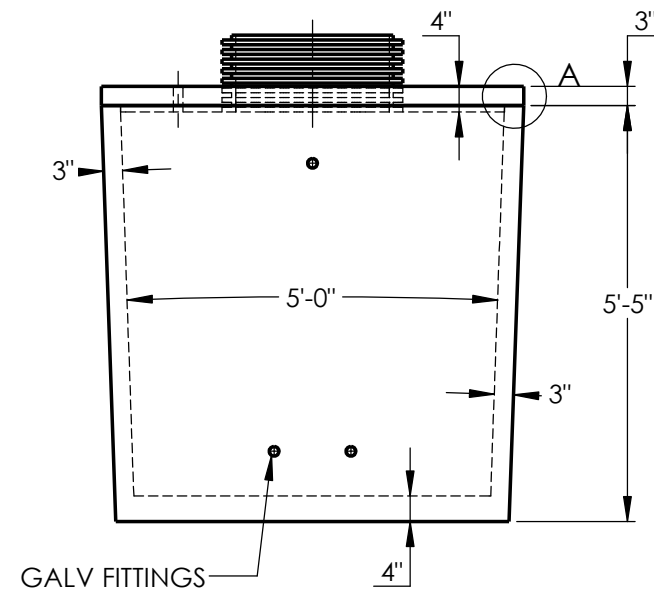
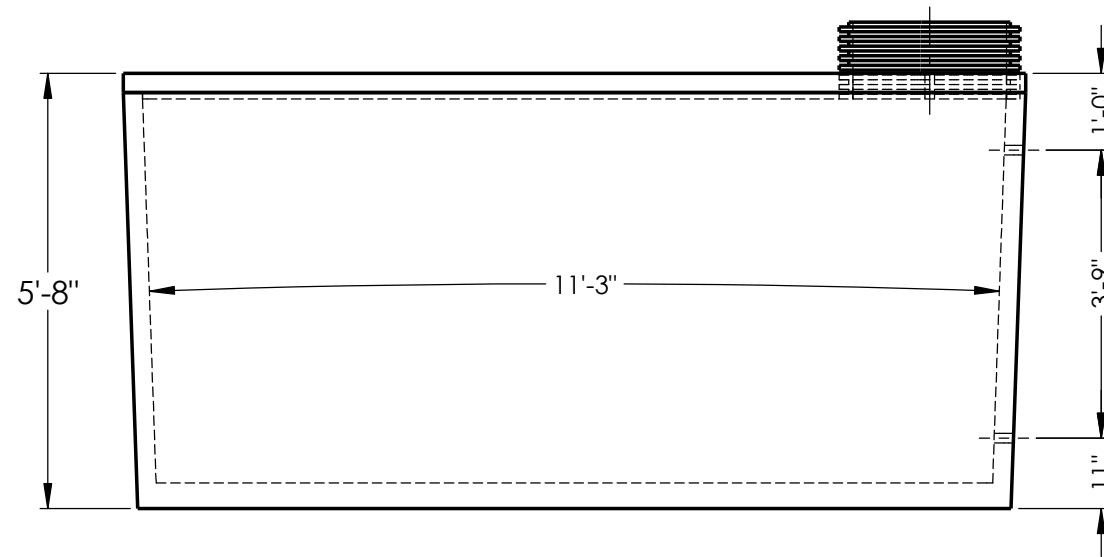
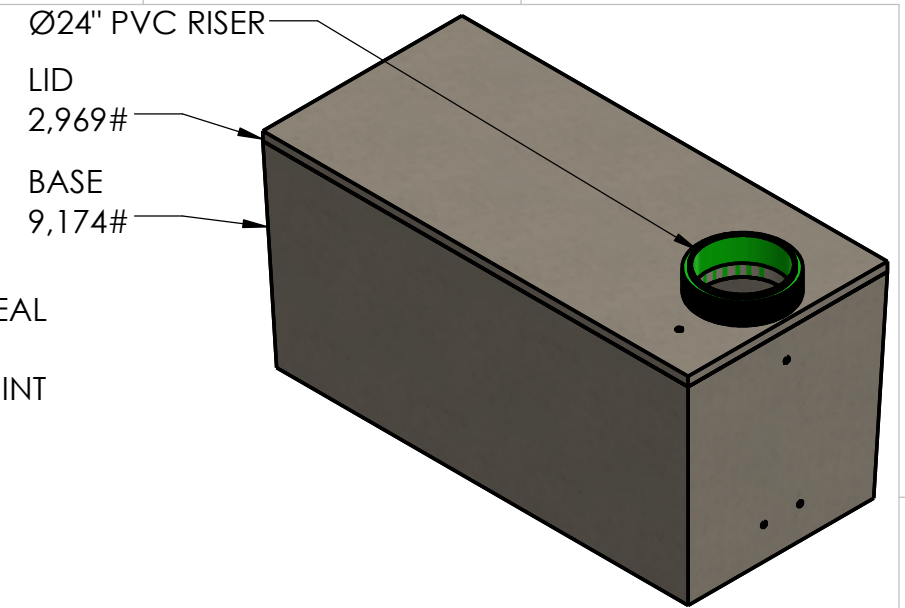


**WARRANTY: ALL TANKS MUST BE BACKFILLED AND COMPACTED PRIOR TO FILLING OR WARRANTY IS VOID.**



**JOINT DETAIL A**



- BEDDING:**  
4" PEA GRAVEL (NO WATER PRESENT)
- GALVANIZED FITTING OPTIONS:**  
Ø1", 1 1/4", 1 1/2", 2". CUSTOM TANKS FITTINGS CAN BE LOCATED ANYWHERE IN TANK
- TOP ACCESS HOLE OPTIONS:**  
FLANGE ADAPTERS Ø24" OR Ø30"  
PVC RISERS Ø24" OR Ø30"  
LIDS CAN BE INSULATED OR NON-INSULATED
- EXCAVATION:**  
12" LARGER EACH WAY THAN TANK DIM.  
MAX COVER ON TOP 3'-0"

**NOTES:**  
 REINFORCING:  
 - #4 BARS @ 6" O.C.E.W. IN TOP, (2) #4 EACH SIDE OF ACCESS  
 - 6x6 10 GA WIRE MESH IN SIDES UP 12" FROM BOTTOM  
 - 6x6 10 GA WIRE MESH IN BOTTOM  
 - #3 BAR 12" DOWN FROM TOP  
 HORIZONTAL CONTINUOUS LOOP



**2215 E. BROOKLYN AVE  
 SPOKANE, W99217  
 TOLL FREE 1-800-888-4573  
 (509) 325-4573 FAX (509) 325-5098  
 SPOKANE - LEWISTON - YAKIMA  
 www.wilbertprecast.com**

**TITLE:** 2100 GALLON MONO WATER TANK

<b>SIZE</b> B	<b>DWG. NO.</b> #1704M	<b>SCALE:</b> NTS	<b>DATE:</b> 4/2/2019
------------------	---------------------------	----------------------	--------------------------

DRAWN BY:  
CEB