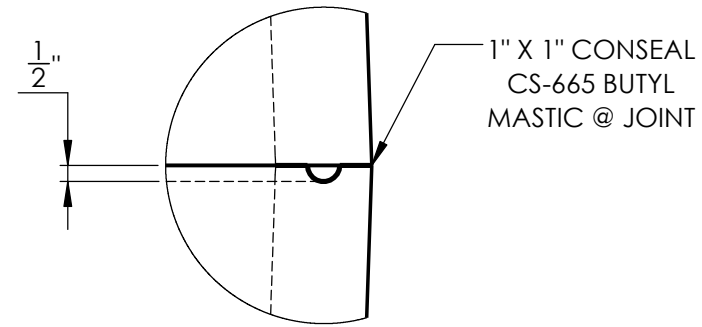
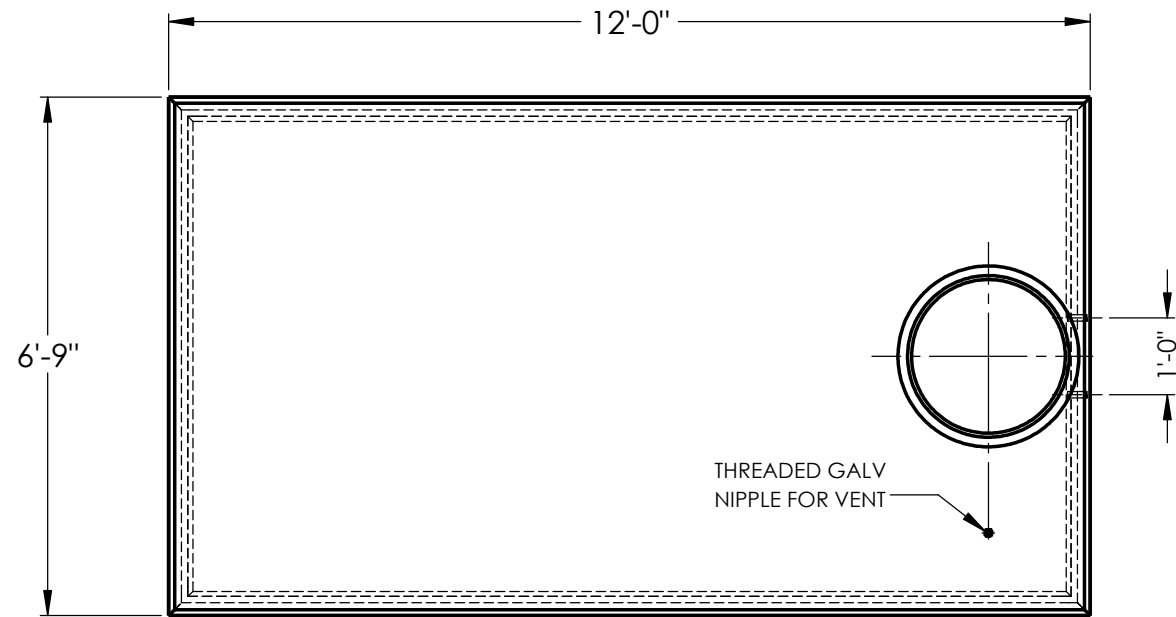
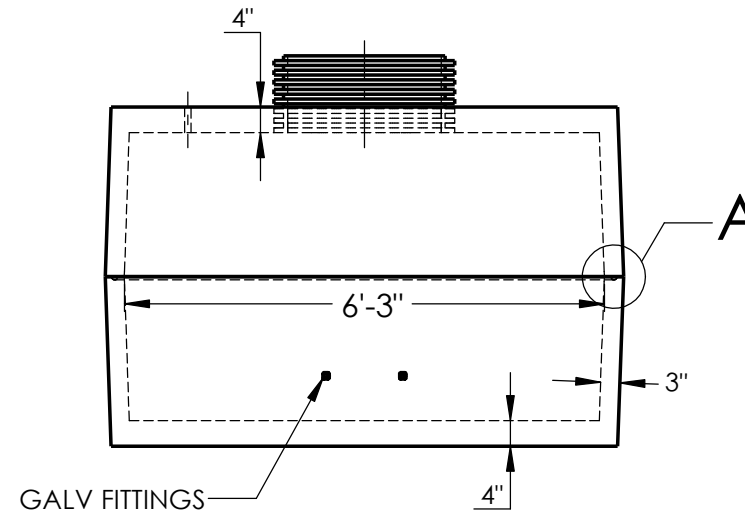
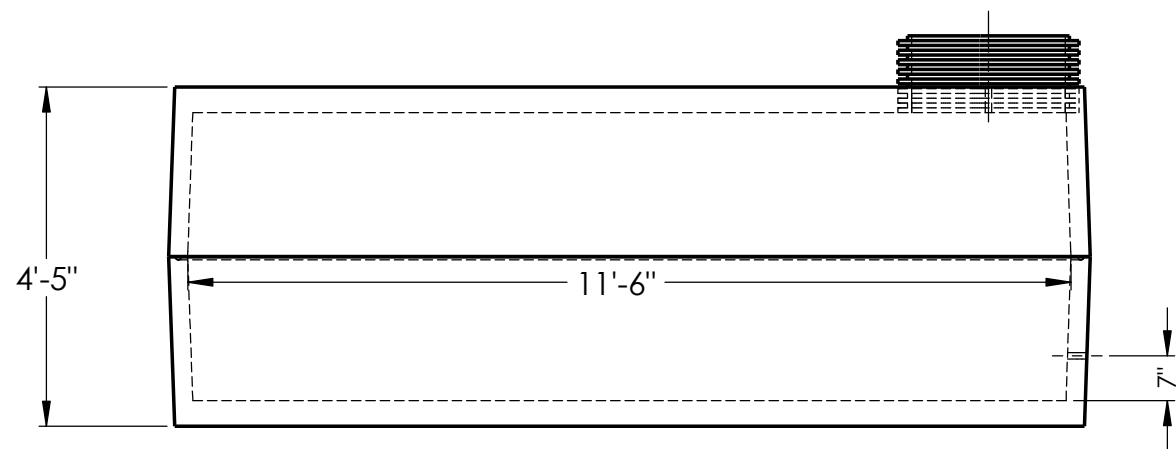
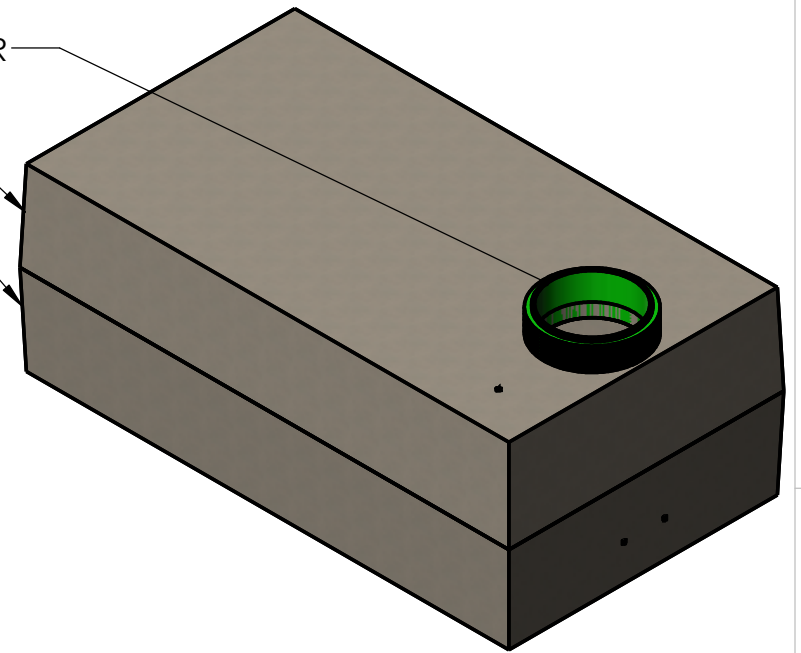


WARRANTY: ALL TANKS MUST BE BACKFILLED AND COMPACTED PRIOR TO FILLING OR WARRANTY IS VOID.



JOINT DETAIL A

Ø24" PVC RISER
6,309#
6,452#



BEDDING:
4" PEA GRAVEL (NO WATER PRESENT)

GALVANIZED FITTING OPTIONS:
Ø1", 1¹/₄", 1¹/₂", 2". CUSTOM TANKS FITTINGS CAN BE LOCATED ANYWHERE IN TANK

TOP ACCESS HOLE OPTIONS:
FLANGE ADAPTERS Ø24" OR Ø30"
PVC RISERS Ø24" OR Ø30"
LIDS CAN BE INSULATED OR NON-INSULATED

EXCAVATION:
12" LARGER EACH WAY THAN TANK DIM.
MAX COVER ON TOP 3'-0"

NOTES:
REINFORCEMENT:
-#4 BAR @ 12" O.C.E.W. THROUGHOUT



2215 E. BROOKLYN AVE
SPOKANE, WA 99217
TOLL FREE 1-800-888-4573
(509) 325-4573 FAX (509) 325-5098
SPOKANE - LEWISTON - YAKIMA
www.wilbertprecast.com

TITLE: 2000 GALLON 2-PIECE WATER TANK

SIZE B	DWG. NO. #1704	SCALE: NTS	DATE: 4/5/2019
------------------	-------------------	---------------	-------------------

DRAWN BY:
CEB