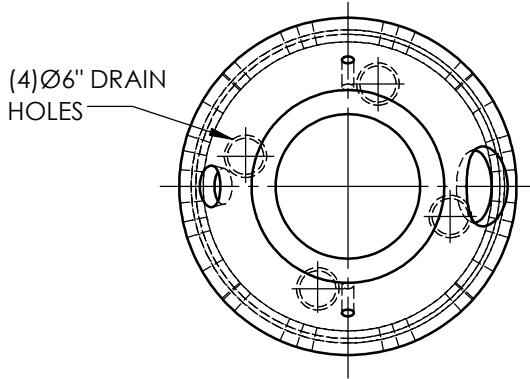




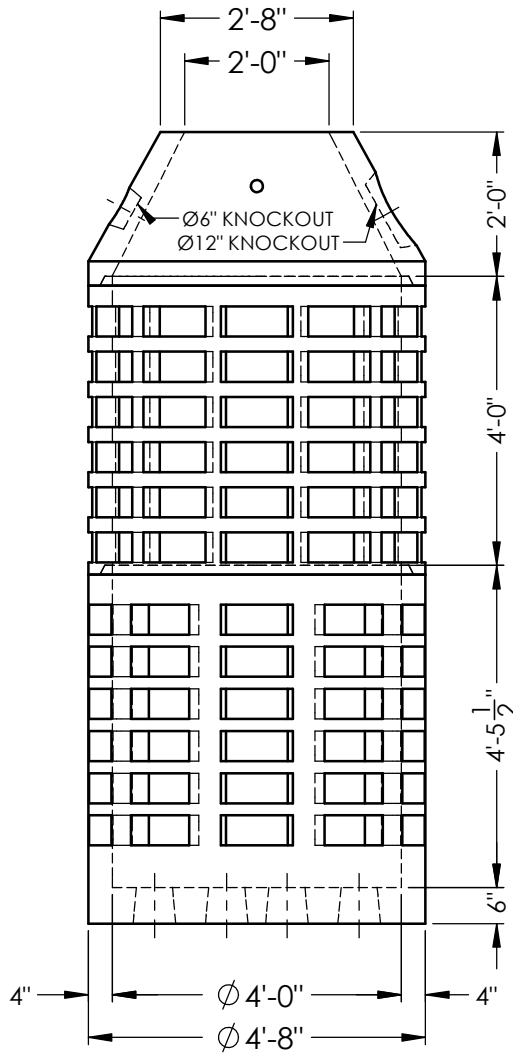
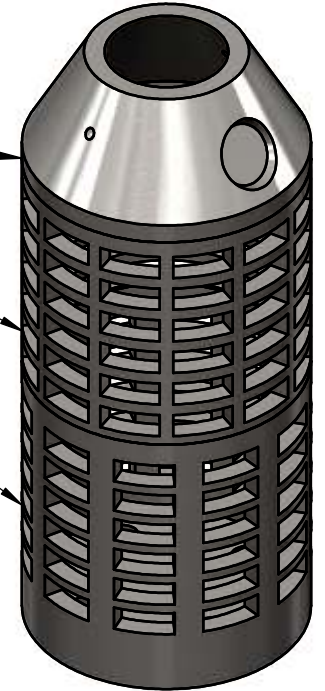
2215 E. BROOKLYN AVE - SPOKANE, WA 99217  
 TOLL FREE 1-800-888-4573  
 (509) 325-4573 FAX (509) 325-5098  
 SPOKANE - LEWISTON - YAKIMA  
[www.wilbertprecast.com](http://www.wilbertprecast.com)



DRYWELL CONE  
 PRODUCT #1801  
 1,260#

DRYWELL BARREL  
 PRODUCT #1802  
 1,328#

DRYWELL BARREL  
 PRODUCT #1803  
 3,035#



**NOTES:**

1. ALL UNITS MEET OR EXCEED THE REQUIREMENTS OF ASTM C-478 / AASHTO M-199

**1000 GALLON DRYWELL  
 CITY OF SPOKANE VALLEY TYPE B STD PLAN S-101  
 SPOKANE CITY TYPE 2 STD PLAN B-102D  
 SPOKANE COUNTY TYPE B STD PLAN B-1  
 WSDOT PLAN B-20.20-02**

**MODEL #:**

**1803 - 1802 - 1801**