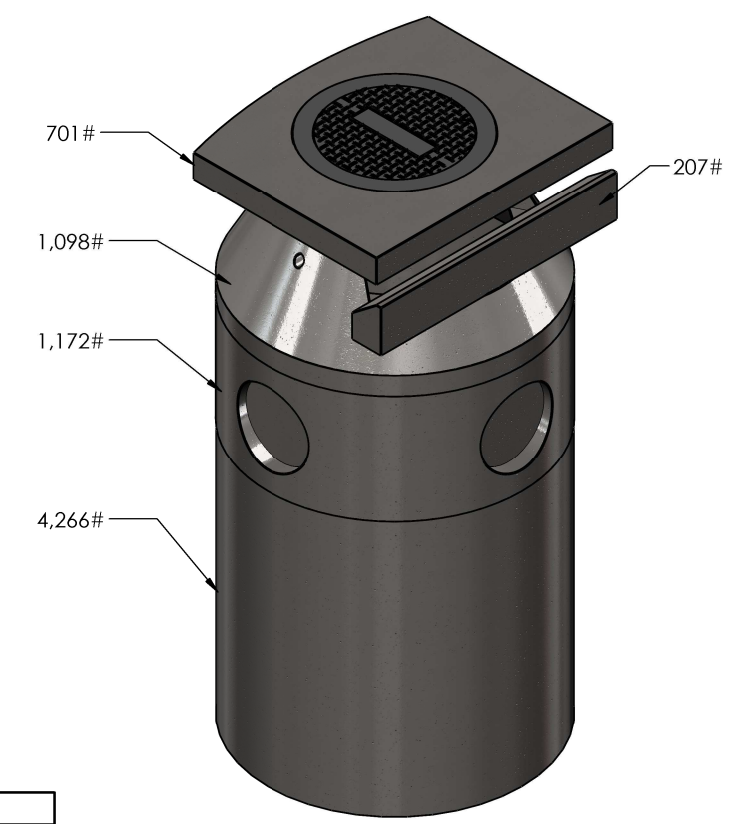
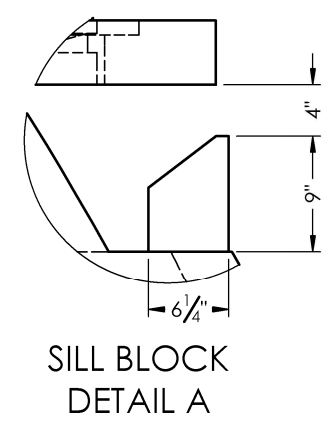
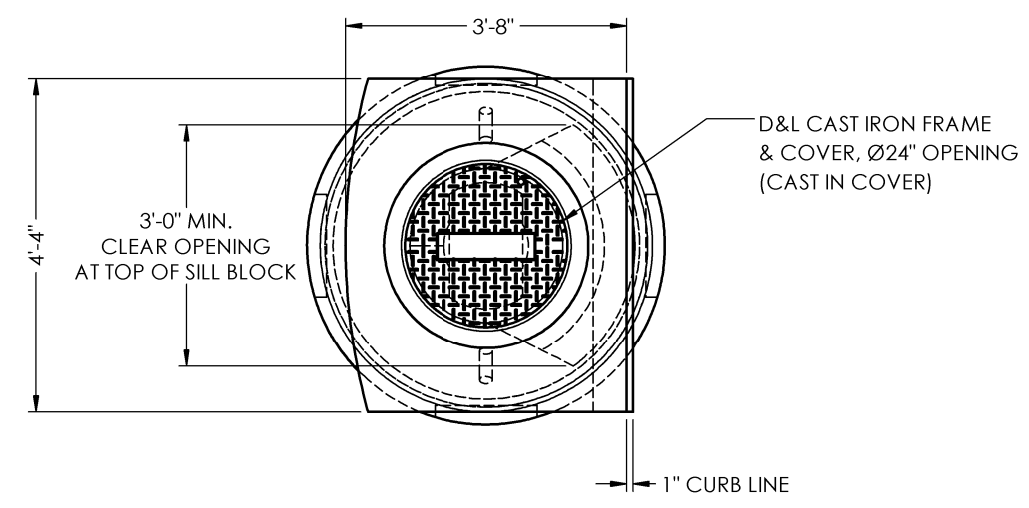
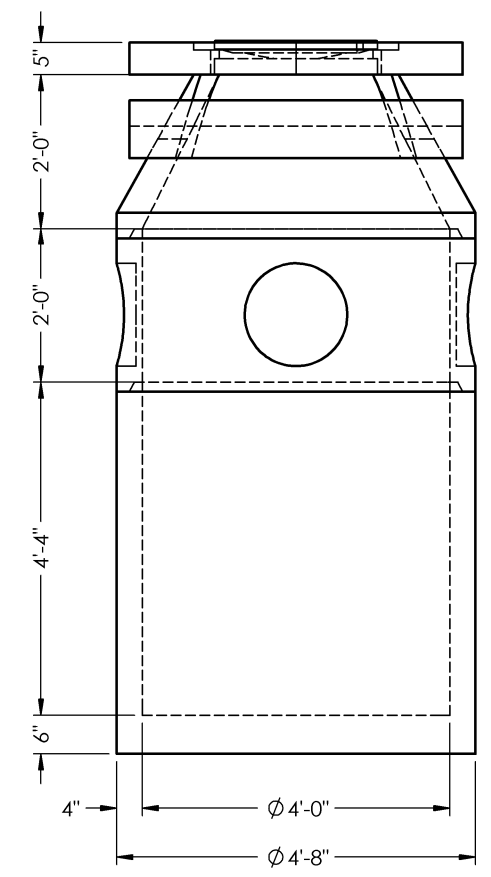
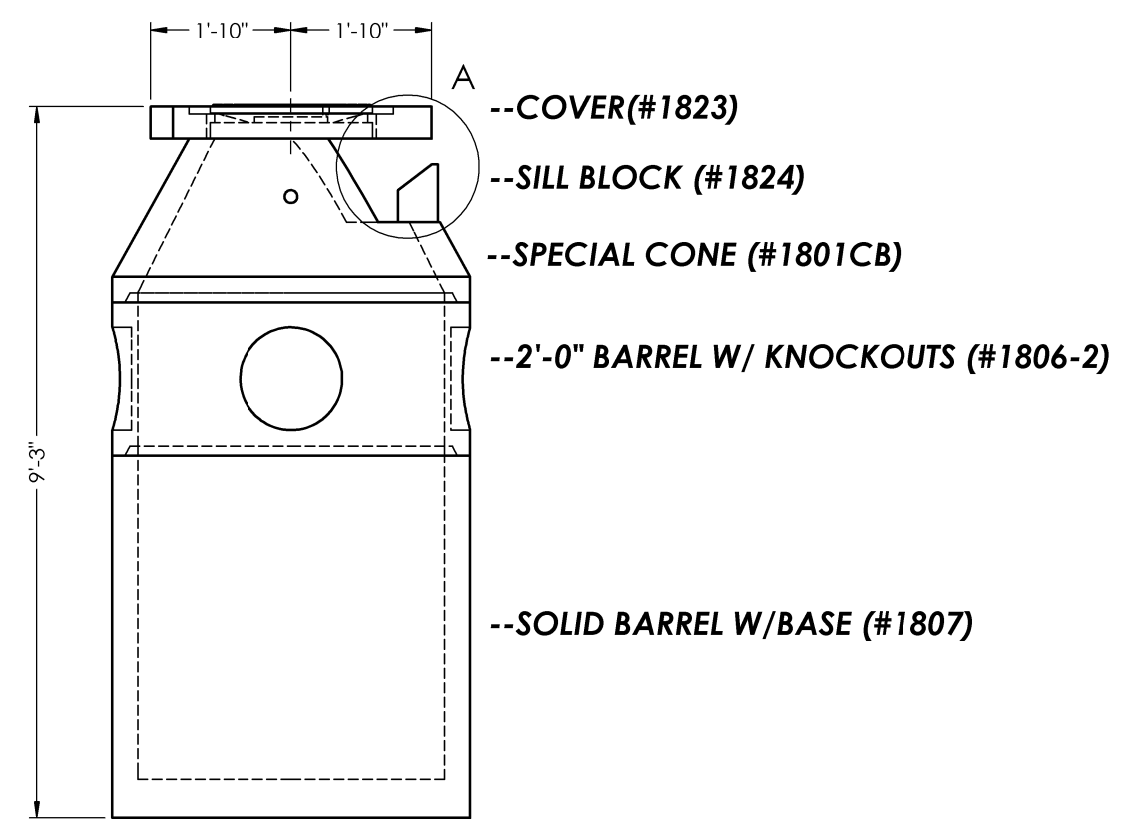


8 7 6 5 4 3 2 1

D



C



B

NOTES:
REINFORCEMENT:



2215 E. BROOKLYN AVE
SPOKANE, WA 99217
TOLL FREE 1-800-888-4573
(509) 325-4573 FAX (509) 325-5098
SPOKANE - LEWISTON - YAKIMA
www.wilbertprecast.com

TITLE:
CATCH BASIN TYPE 2
CITY OF SPOKANE STD. PLAN B-101D

SIZE B	DWG. NO. 1807/1806-2 1801CB/1824/1823	SCALE: NTS	DATE: 1/6/2021
------------------	--	----------------------	--------------------------

8 7 6 5 4 3 2 1

D

C

B

A