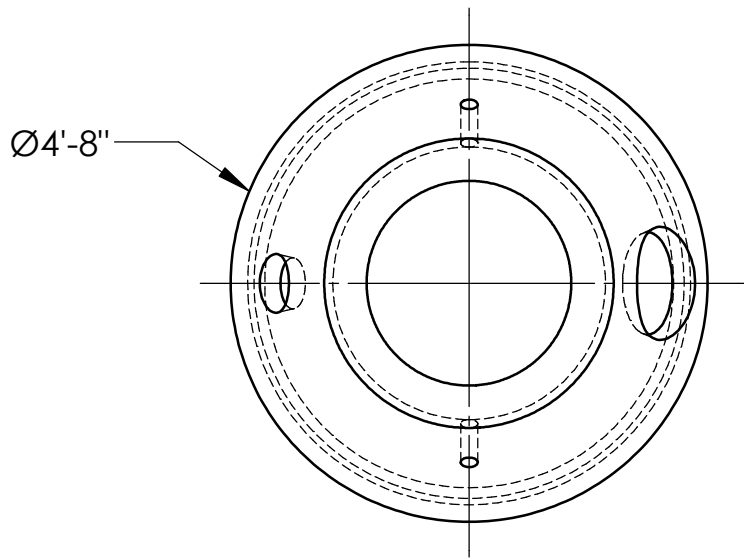




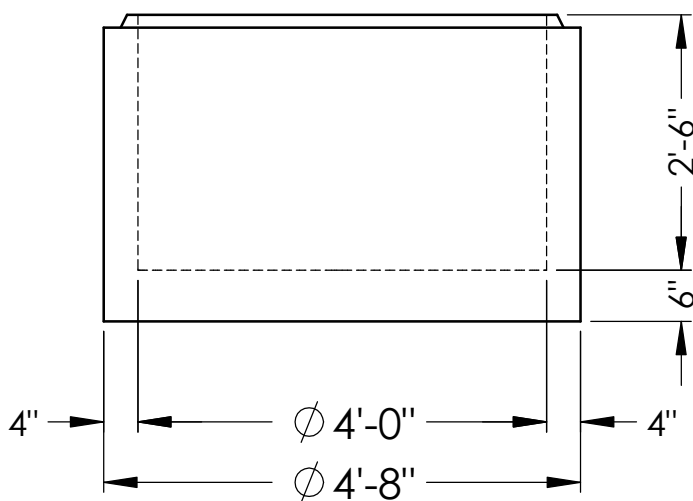
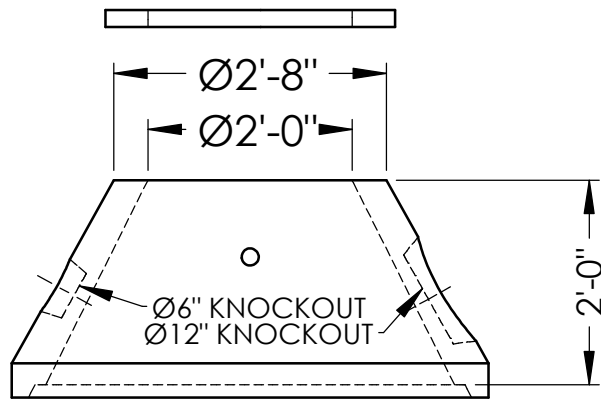
2215 E. BROOKLYN AVE - SPOKANE, WA 99217
 TOLL FREE 1-800-888-4573
 (509) 325-4573 FAX (509) 325-5098
 SPOKANE - LEWISTON - YAKIMA
www.wilbertprecast.com



2",3",4",5",6", & 13" GRADE RINGS
 (PRODUCT #'S 1816,17,18,19)

DRYWELL CONE
 PRODUCT #1801
 1,260#

CATCH BASIN TYPE "O"
 PRODUCT #1806
 2,933#



NOTES:

1. ALL UNITS MEET OR EXCEED THE REQUIREMENTS OF ASTM C-478 / AASHTO M-199

TYPE "O" CATCH BASIN
 SPOKANE CITY STANDARD PLAN B-101B

MODEL #:

1826/1801