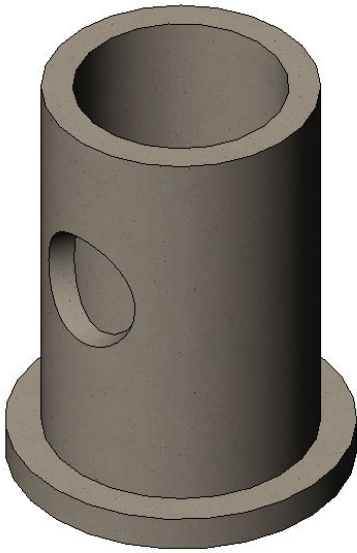
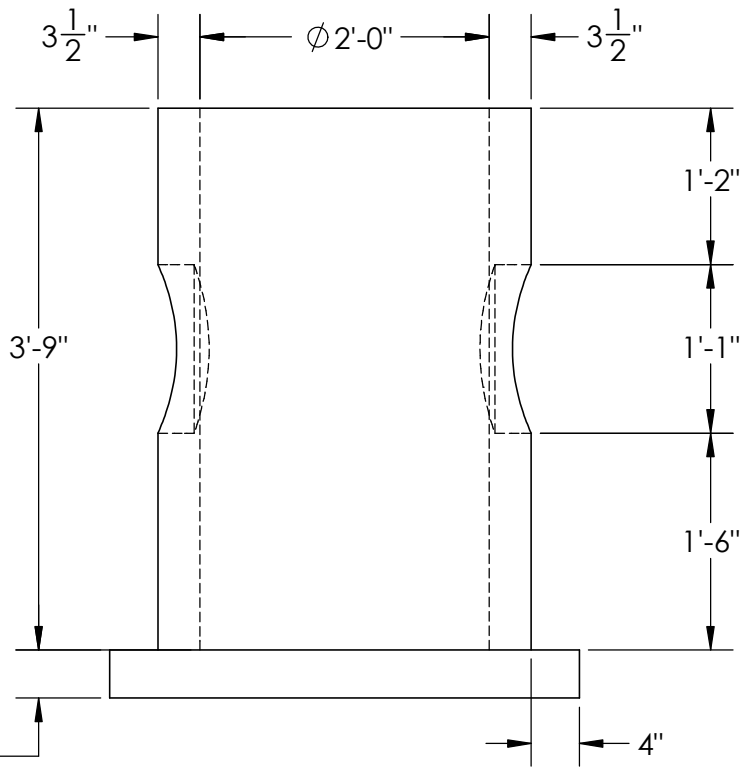
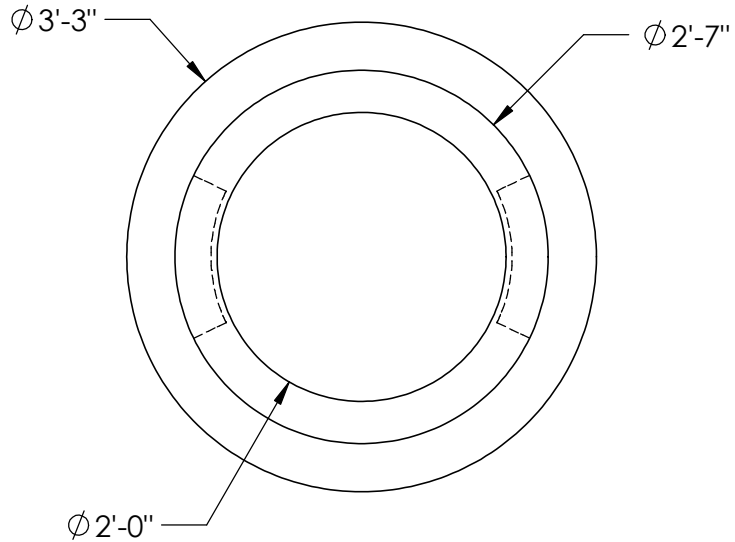




2215 E. BROOKLYN AVE - SPOKANE, WA 99217  
 TOLL FREE 1-800-888-4573  
 (509) 325-4573 FAX (509) 325-5098  
 SPOKANE - LEWISTON - YAKIMA  
[www.wilbertprecast.com](http://www.wilbertprecast.com)



**WEIGHT:** 1,520#



**NOTES:**

- ~ MEETS OR EXCEEDS THE REQUIREMENTS OF ASTM C-478 / AASHTO M-199
- ~ WHEN STREET GRADE EXCEEDS 5% USE VANED GRATE WSDOT STANDARD PLAN B-30.30-01
- ~ GRATE TYPES SHALL BE ONE OF THE FOLLOWING: WSDOT B-30.10-01, B30.20-02, B30.30-01, B30.40-01, B-30.50-01

**Ø24" TYPE 1 CATCH BASIN  
 YAKIMA COUNTY STD PLAN D-1**

**MODEL #:**

**1844-24**