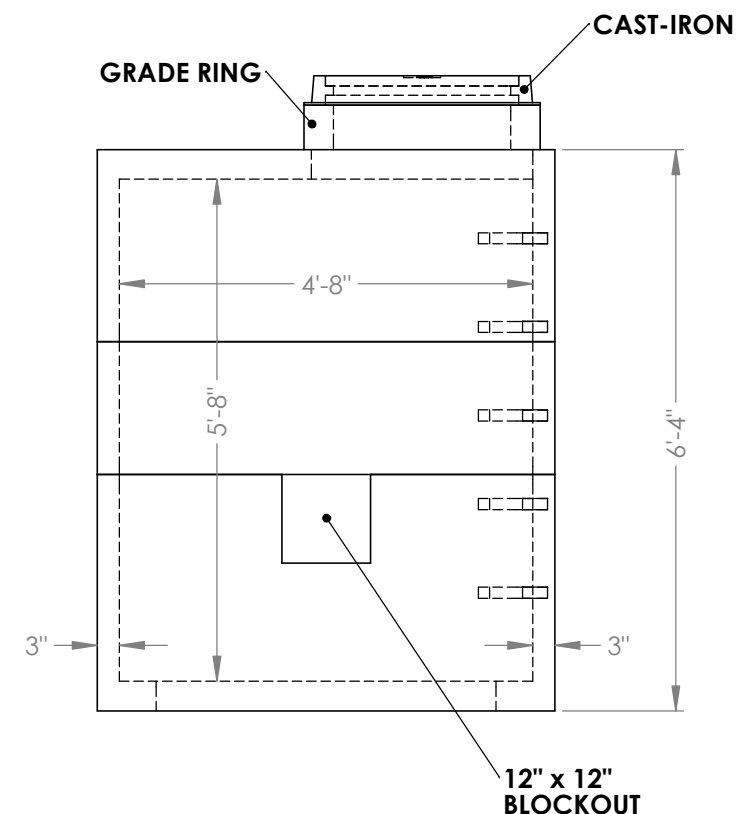
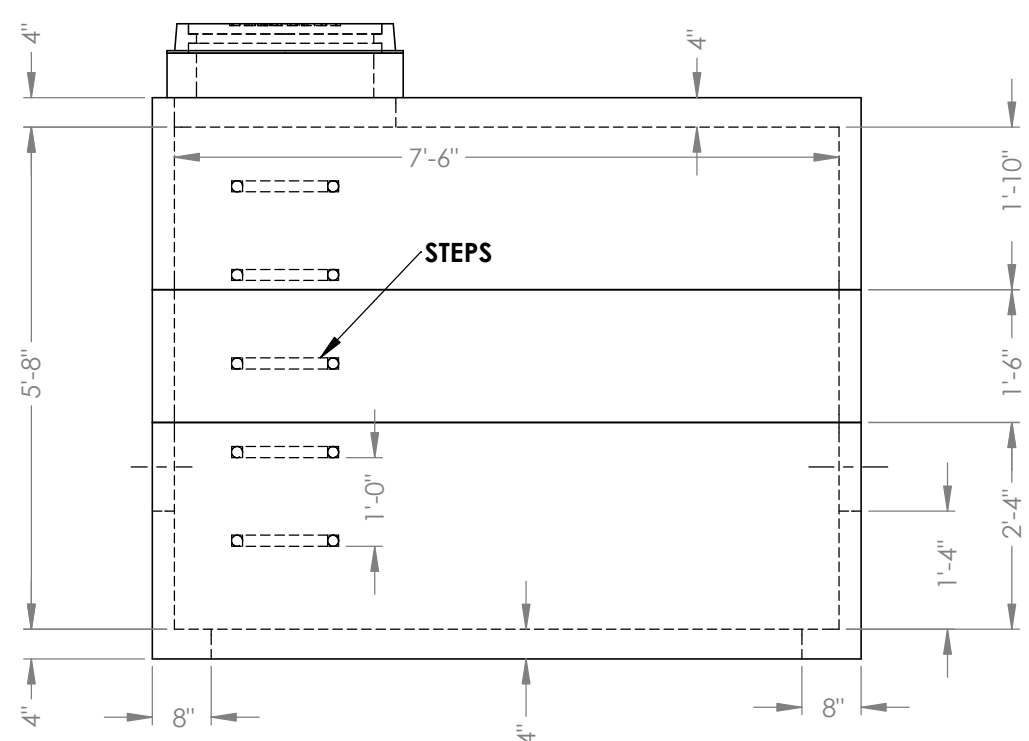


WEIGHT:
TOP - 3,560#
SECTION - 1,425#
BASE - 3,005#



NOTES:
 *MEETS OR EXCEEDS THE REQUIREMENTS OF
 ASTM 857, 858, 890, 900, AND 913.
 *6x6 10 GA WIRE MESH THROUGHOUT



2215 E. BROOKLYN AVE - SPOKANE, WA 99217
TOLL FREE 1-800-888-4573
(509) 325-4573 FAX (509) 325-5098
SPOKANE - LEWISTON - YAKIMA
www.wilbertprecast.com

TITLE: SMALL METER VAULT LIGHT LOADING

SIZE B	DWG. NO. 1951	SCALE: NTS	DATE: 10/14/2015
-------------------------	-------------------------	----------------------	----------------------------

DRAWN BY:
GJP