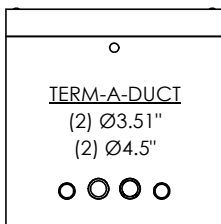
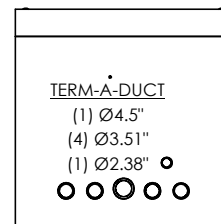




2215 E. BROOKLYN AVE - SPOKANE, WA 99217
 TOLL FREE 1-800-888-4573
 (509) 325-4573 FAX (509) 325-5098
 SPOKANE - LEWISTON - YAKIMA
www.wilbertprecast.com

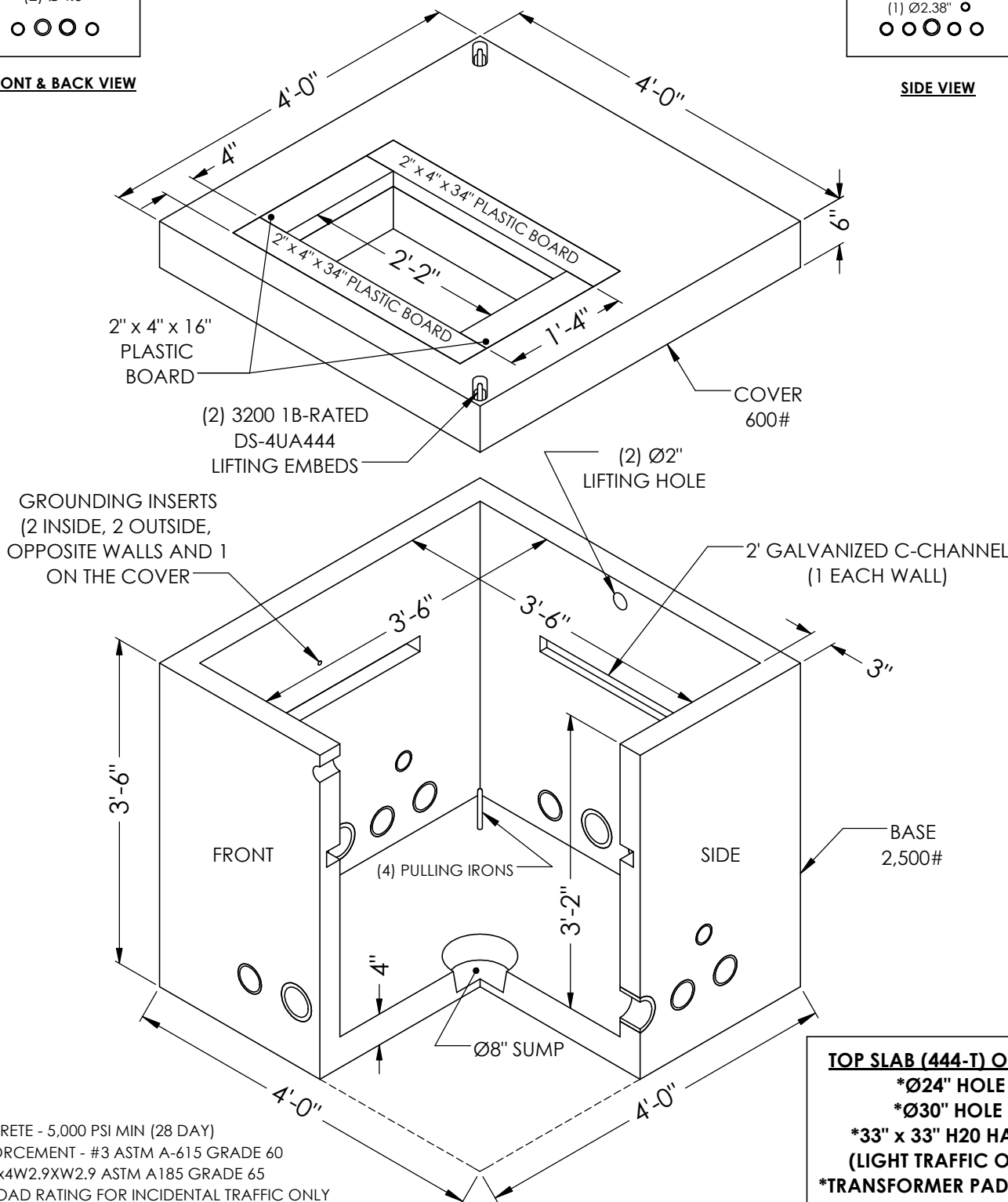


FRONT & BACK VIEW



SIDE VIEW

OVERALL HEIGHT: 4'-0"



- NOTES:**
- *CONCRETE - 5,000 PSI MIN (28 DAY)
 - *REINFORCEMENT - #3 ASTM A-615 GRADE 60
 - MESH 4x4W2.9XW2.9 ASTM A185 GRADE 65
 - *H-20 LOAD RATING FOR INCIDENTAL TRAFFIC ONLY

- TOP SLAB (444-T) OPTIONS**
- *Ø24" HOLE
 - *Ø30" HOLE
 - *33" x 33" H20 HATCH (LIGHT TRAFFIC ONLY)
 - *TRANSFORMER PAD MOUNT

ELECTRICAL VAULT

MODEL #:

PCORP