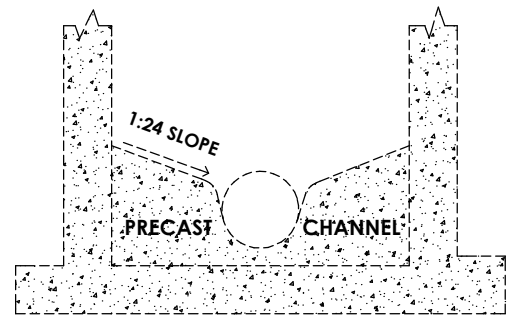
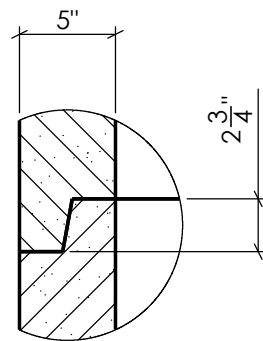
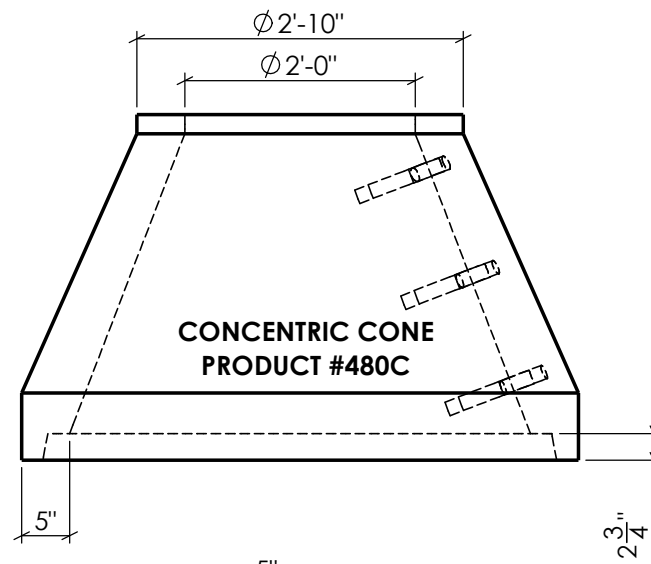
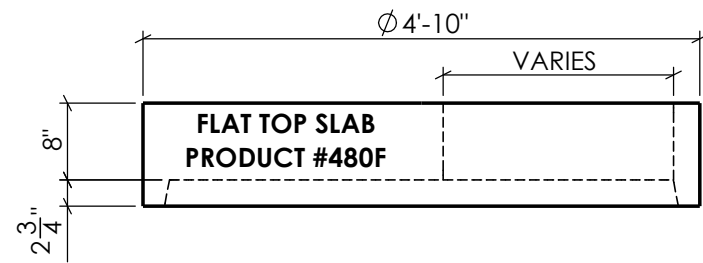


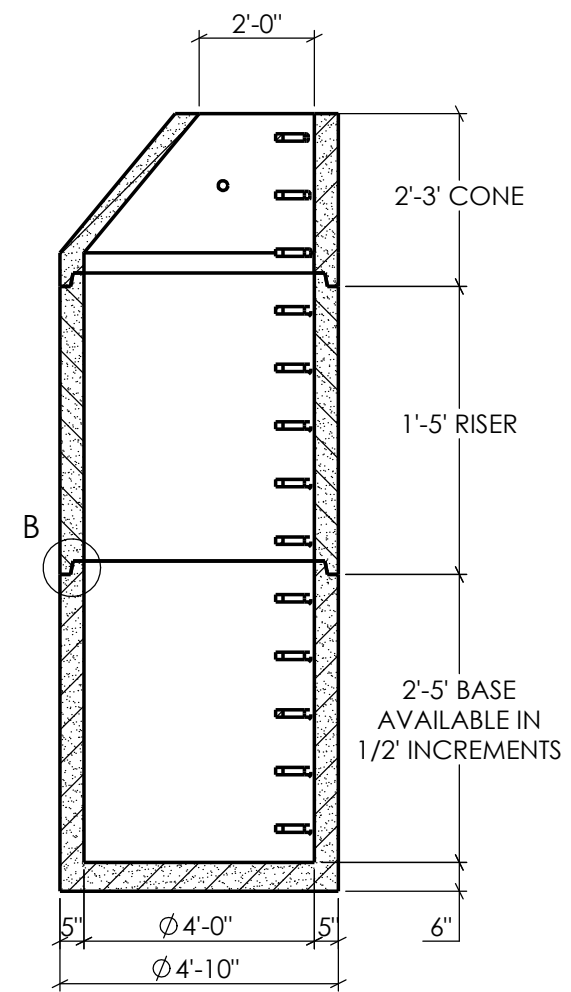
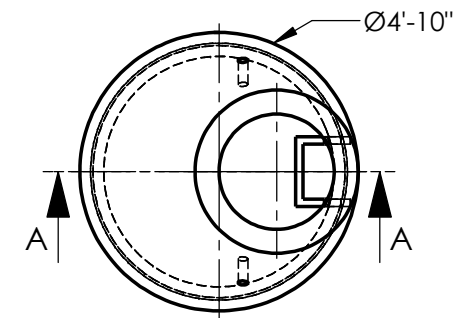
OPTIONAL PRECAST CHANNEL



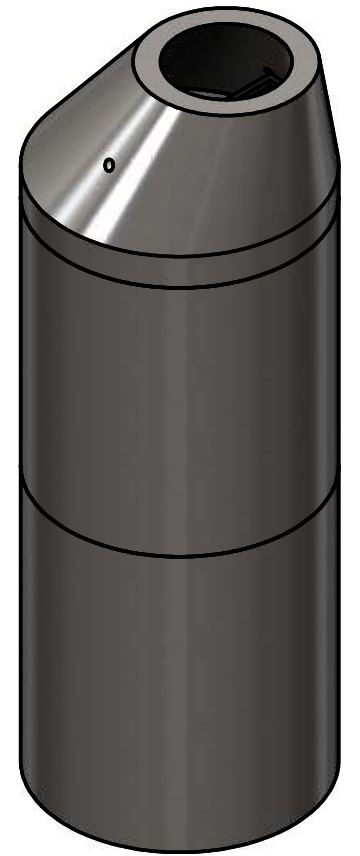
OPTIONAL ANTI-FLOTATION FOOT BASE



JOINT DETAIL B



SECTION A-A



- PRODUCT #'S**
- ECCENTRIC CONE
 - 480E-2 2' - 1,287#
 - 480E-3 3' - 2,027#
 - CONCENTRIC CONE
 - 480C-2 2' - 1,392#
 - 480C-3 3' - 2,279#
 - RISERS
 - 481 - 1' - 867#
 - 482 - 2' - 2,589#
 - 483 - 3' - 3,884#
 - 484 - 4' - 3,467#
 - 485 - 5' - 5,801#
 - BASES
 - 482B - 2' - 3,203#
 - 483B - 3' - 4,068#
 - 484B - 4' - 4,935#
 - 485B - 5' - 5,801#
 - OPTIONAL CHANNEL
 - ≈1,334#
 - OPTIONAL ANTI-FLOTATION BASE
 - ≈987#

NOTES:
 REINFORCEMENT:
BODY & RISERS
 -4X8 W4/W1.7 WIRE CAGE THROUGHOUT
BASE
 -4X4 W5/W5 WIRE CAGE THROUGHOUT
CONES
 -#4 HOOP IN BASE/STRUCTURAL FIBER THROUGHOUT
FLAT SLAB TOP
 -#4@6"O.C. W/EXTRA #4 BAR AROUND OPENING
 ~ALL UNITS MEET OR EXCEED THE REQUIREMENTS OF
 ASTM C-478/AASHTO M-199 & ASTM C-443



**2215 E. BROOKLYN AVE
 SPOKANE, WA 99217
 TOLL FREE 1-800-888-4573
 (509) 325-4573 FAX (509) 325-5098
 SPOKANE - LEWISTON - YAKIMA
 www.wilbertprecast.com**

DRAWN BY:
CEB

TITLE: Ø48" MANHOLE

SIZE B	DWG. NO. 480	SCALE: NTS	DATE: 11/27/2018
-------------------------	------------------------	----------------------	----------------------------