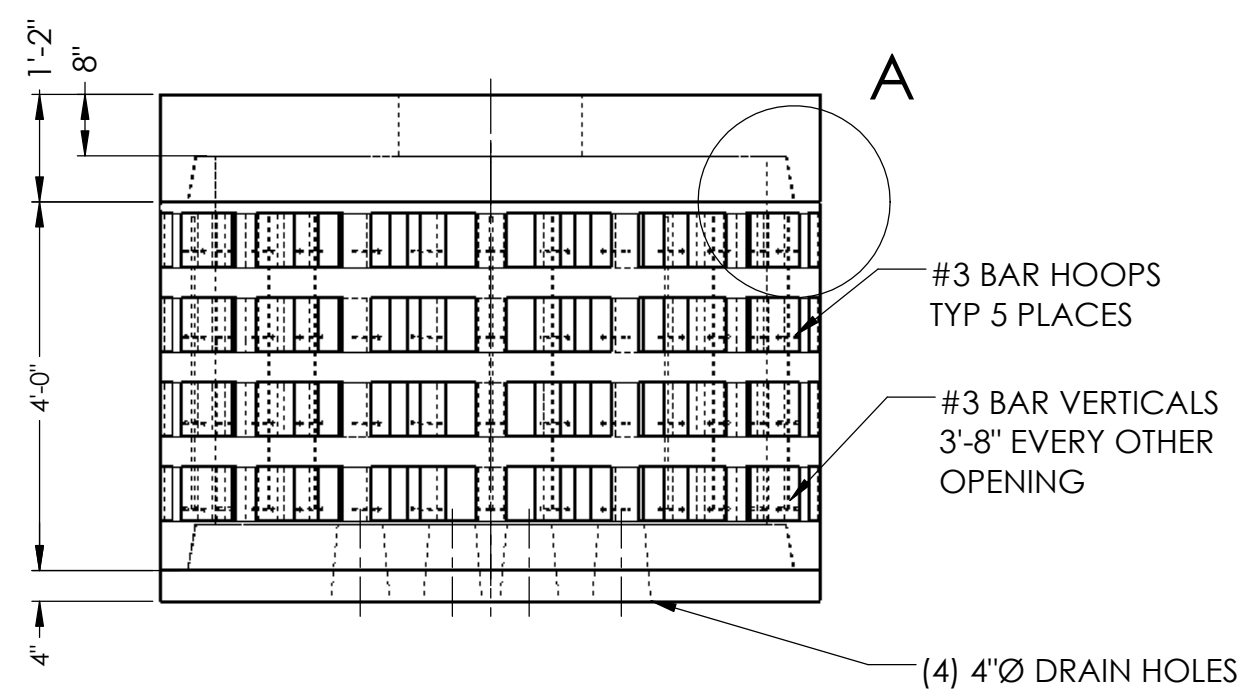


DRYWELL LID
4,260#

4' DRYWELL BARRELL
4,862#

DRYWELL BASE
4,373#

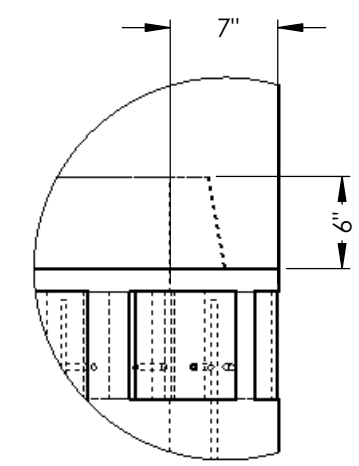


A

#3 BAR HOOPS
TYP 5 PLACES

#3 BAR VERTICALS
3'-8" EVERY OTHER
OPENING

(4) 4"Ø DRAIN HOLES



JOINT DETAIL A



2215 E. BROOKLYN AVE - SPOKANE, WA
99217
TOLL FREE 1-800-888-4573
(509) 325-4573 FAX (509) 325-5098
SPOKANE - LEWISTON - YAKIMA
www.wilbertprecast.com

TITLE: 72"Ø DRYWELL

SIZE B	DWG. NO. 1	SCALE: NTS	DATE: 12/2/2016
------------------	---------------	---------------	--------------------

DRAWN BY:
CEB