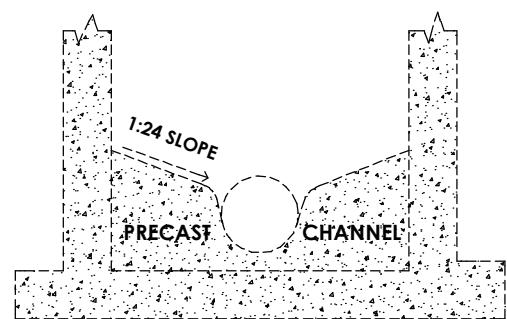
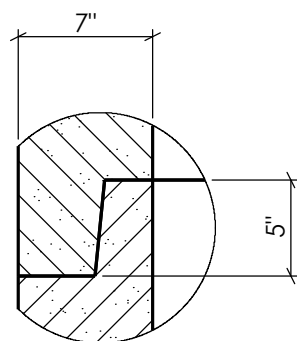
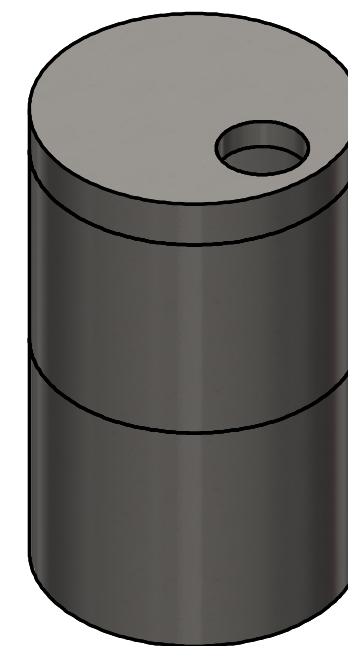
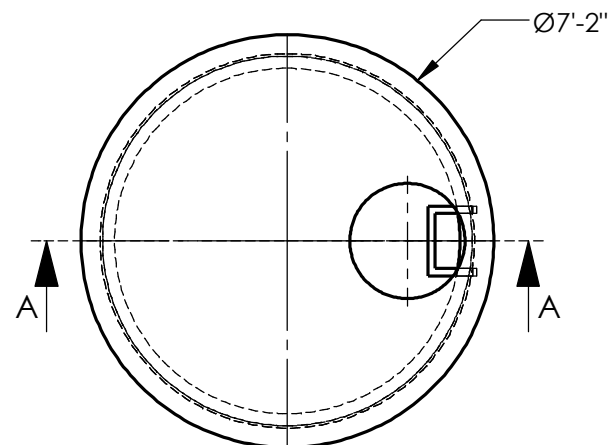
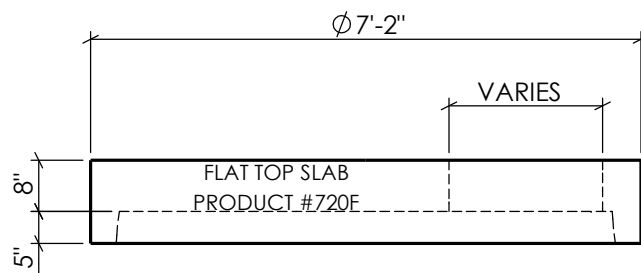


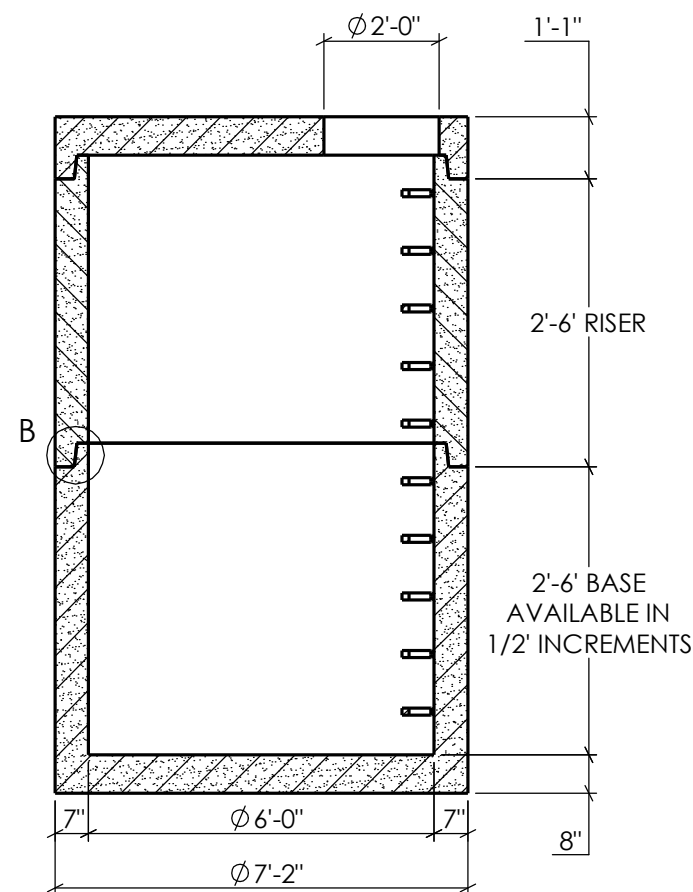
OPTIONAL PRECAST CHANNEL



OPTIONAL ANTI-FLOTATION FOOT BASE



JOINT DETAIL B



SECTION A-A

PRODUCT #'S

<u>FLAT SLAB TOP</u>
720F - 4,074#
<u>RISERS</u>
721 - 1' - 1,809#
722 - 2' - 3,617#
723 - 3' - 5,426#
724 - 4' - 7,265#
725 - 5' - 9,042#
726 - 6' - 10,851#
<u>BASES</u>
722B - 2' - 7,919#
723B - 3' - 9,728#
724B - 4' - 11,537#
725B - 5' - 13,344#
726B - 6' - 15,165#
<u>OPTIONAL CHANNEL</u>
≈ 5,243#
<u>OPTIONAL ANTI-FLOTATION BASE</u>
≈ 1,400#

NOTES:
 REINFORCEMENT:
BODY & RISERS
 -2X8 W4/W2.1 WIRE CAGE THROUGHOUT
BASE
 -#5 BAR @ 6" O.C.
FLAT SLAB TOP
 -#6@7"O.C. W/EXTRA #6 BAR AROUND OPENING
 ~ALL UNITS MEET OR EXCEED THE REQUIREMENTS OF
 ASTM C-478/AASHTO M-199 & ASTM C-443



**2215 E. BROOKLYN AVE
 SPOKANE, WA 99217
 TOLL FREE 1-800-888-4573
 (509) 325-4573 FAX (509) 325-5098
 SPOKANE - LEWISTON - YAKIMA
 www.wilbertprecast.com**

DRAWN BY:
CEB

TITLE:		Ø72" MANHOLE	
SIZE	DWG. NO.	SCALE:	DATE:
B	720	NTS	9/25/2019