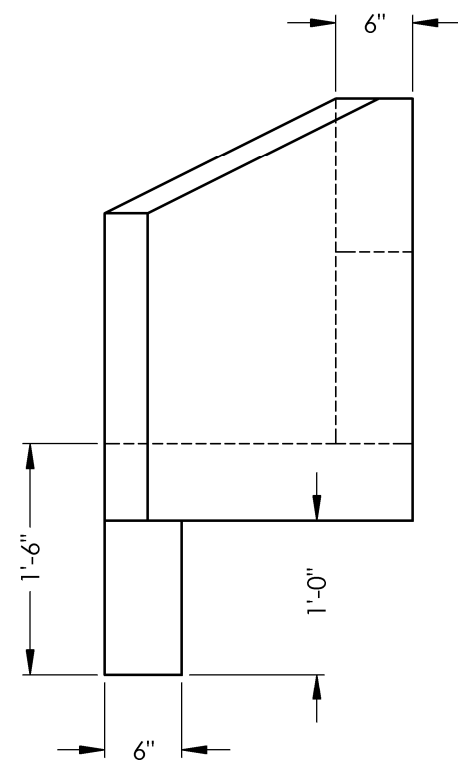
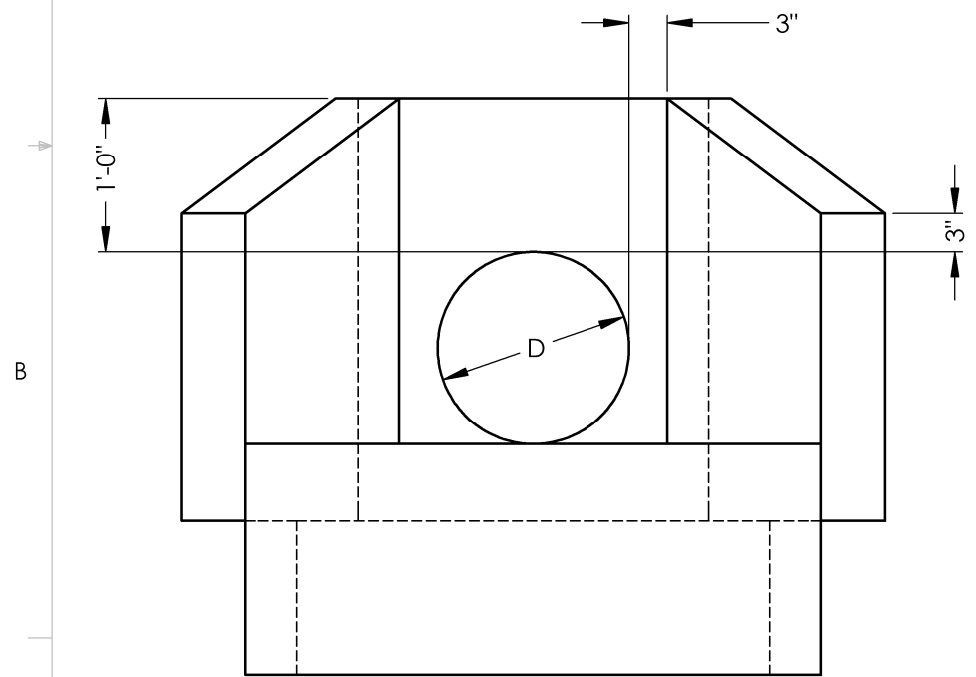
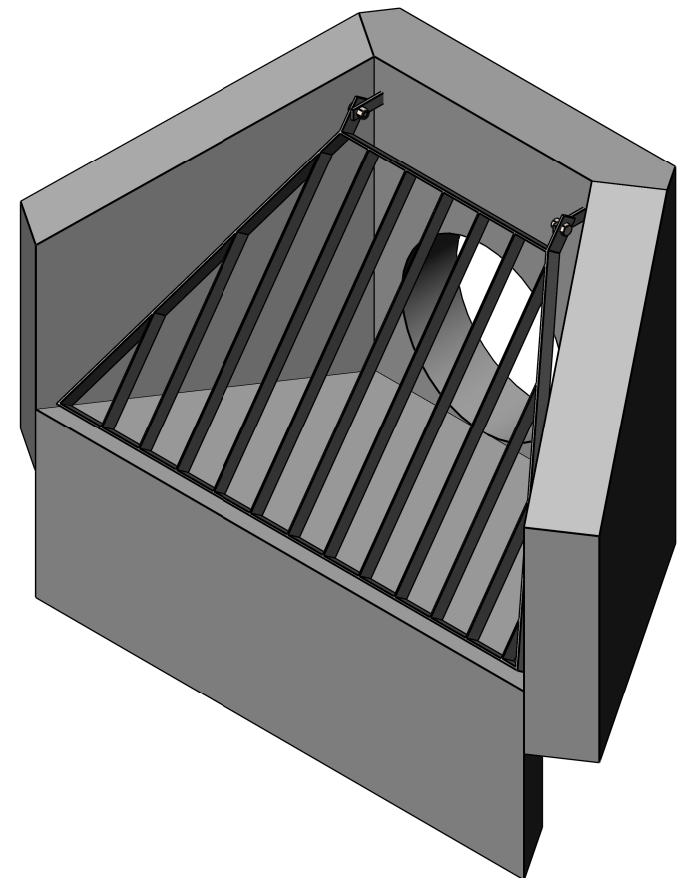
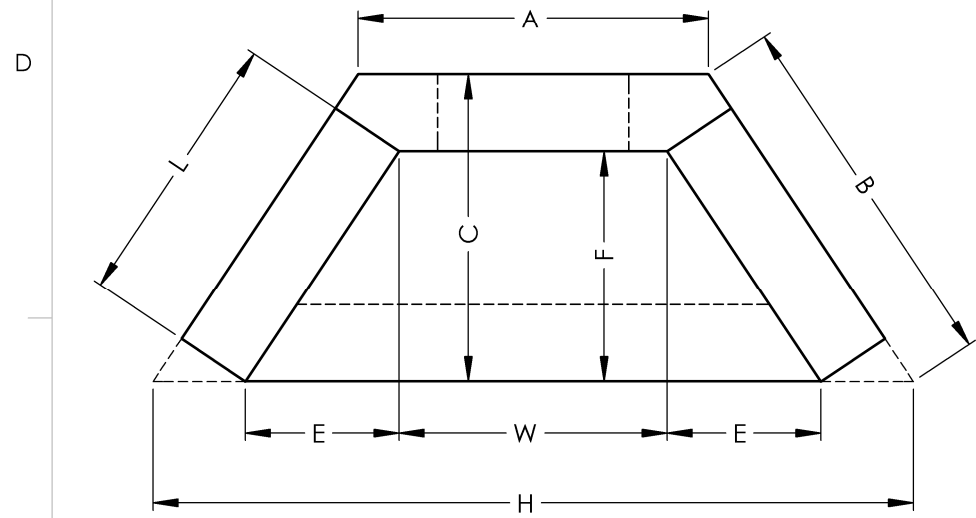


8 7 6 5 4 3 2 1



PRODUCT #	D	L	E	F	W	A	B	C	H
4016-15	15"	1'-9 ⁵ / ₈ "	1'-0"	1'-6"	1'-9"	2'-3 ⁷ / ₁₆ "	2'-4 ¹³ / ₁₆ "	2'-0"	4'-11 ¹ / ₈ "
4016-18	18"	2'-3 ¹ / ₈ "	1'-3"	1'-10 ¹ / ₂ "	2'-0"	2'-6 ⁷ / ₁₆ "	2'-10 ¹ / ₄ "	2'-4 ¹ / ₂ "	5'-8 ⁷ / ₁₆ "
4016-24	24"	3'-1 ⁷ / ₈ "	1'-9"	2'-7 ¹ / ₂ "	2'-6"	3'-0 ⁷ / ₁₆ "	3'-9 ¹ / ₁₆ "	3'-1 ¹ / ₂ "	7'-2 ⁷ / ₁₆ "
4016-30	30"	4'-0 ⁵ / ₈ "	2'-3"	3'-4 ¹ / ₂ "	3'-0"	3'-6 ⁷ / ₁₆ "	4'-7 ⁷ / ₈ "	3'-10 ¹ / ₂ "	8'-10 ¹ / ₁₆ "
4016-36	36"	4'-11 ¹ / ₂ "	2'-9"	4'-1 ¹ / ₂ "	3'-6"	4'-0 ⁷ / ₁₆ "	5'-6 ¹ / ₁₆ "	4'-7 ¹ / ₂ "	10'-2 ⁷ / ₁₆ "
4016-42	42"	5'-10 ¹ / ₄ "	3'-3"	4'-10 ¹ / ₂ "	4'-0"	4'-6 ⁷ / ₁₆ "	6'-5 ¹ / ₂ "	5'-4 ¹ / ₂ "	11'-8 ⁷ / ₁₆ "
4016-48	48"	6'-9 ¹ / ₈ "	3'-9"	5'-7 ¹ / ₂ "	4'-6"	5'-0 ⁷ / ₁₆ "	7'-4 ³ / ₈ "	6'-1 ¹ / ₂ "	13'-2 ⁷ / ₁₆ "

NOTES:
 REINFORCEMENT:
 -#4 REBAR@12" O.C.E.W. THROUGHOUT
 -OTHER SIZES AVAILABLE FOR LARGER
 PIPE DIAMETERS



2215 E. BROOKLYN AVE
 SPOKANE, WA 99217
 TOLL FREE 1-800-888-4573
 (509) 325-4573 FAX (509) 325-5098
 SPOKANE - LEWISTON - YAKIMA
 www.wilbertprecast.com

TITLE: WING WALL / HEADWALL		SCALE: NTS	DATE: 3/6/2020
SIZE B	DWG. NO. 4016S		

8 7 6 5 4 3 2 1