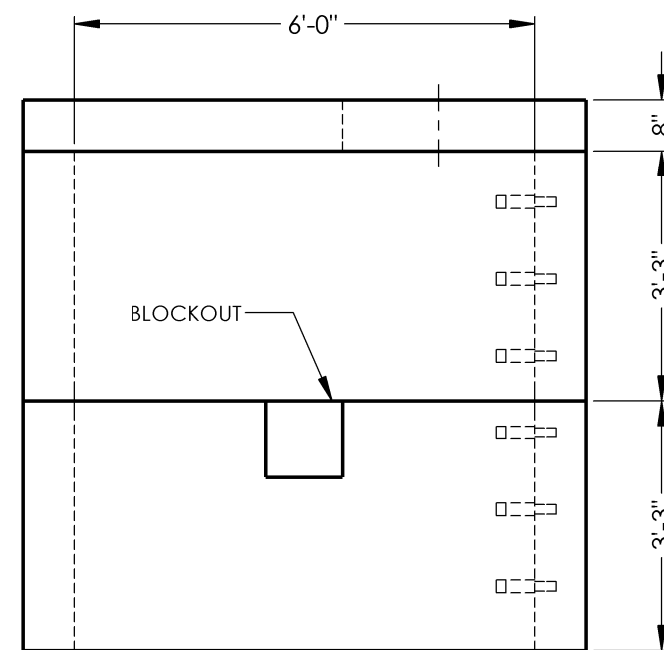
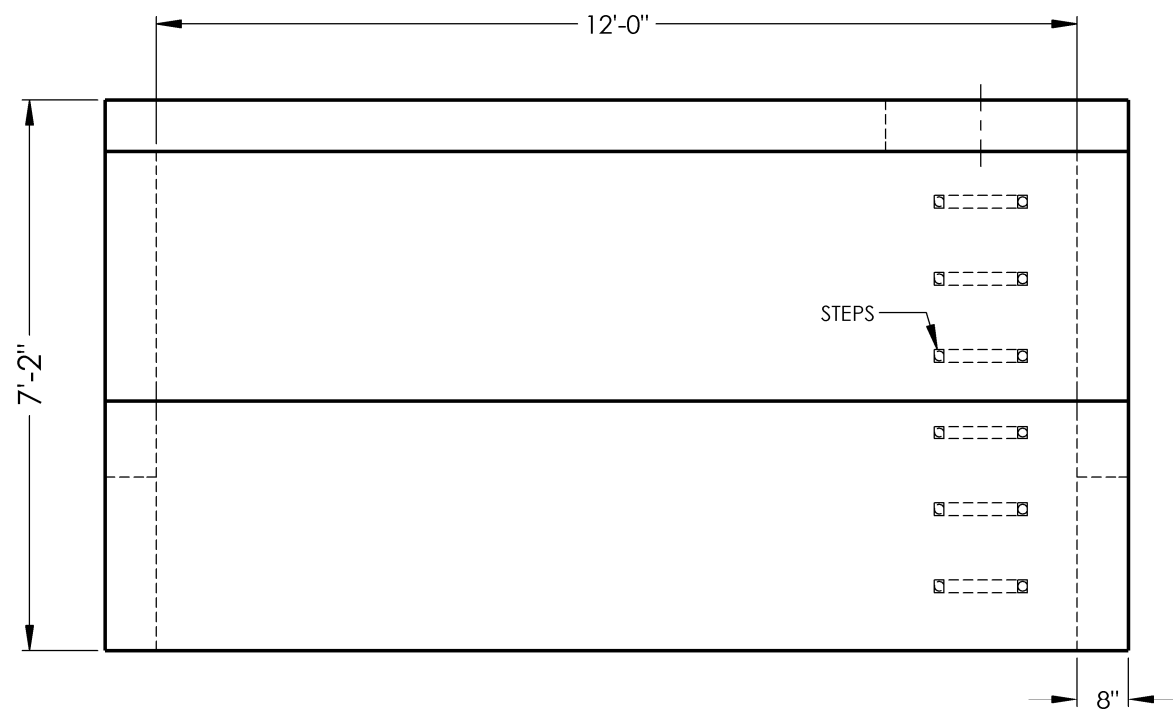
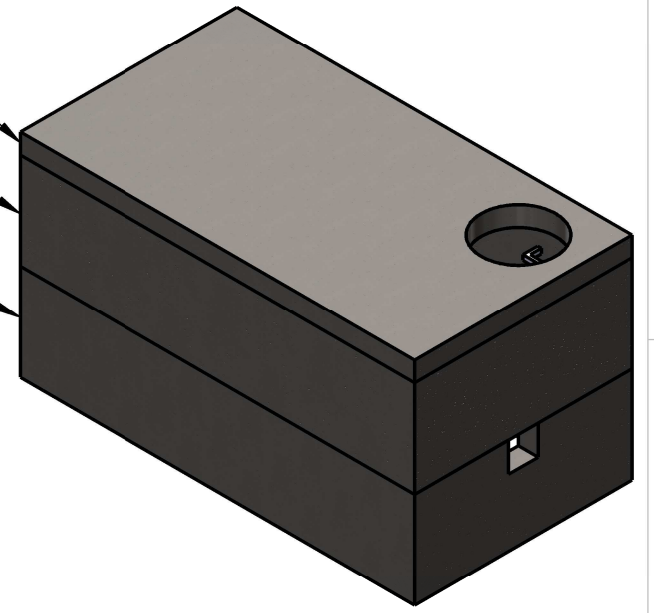


WIL612T
9,290#

WIL612W-39
12,570#

WIL612W-39
12,370#



B

C

REINFORCEMENT:

- LID -#5 BAR @ 5" O.C. TRANSVERSE
 - #5 BAR @ 9" O.C. LONGITUDINAL (CENTERED IN LID)
 - WALLS -#4 BAR @ 12" O.C. VERTICAL
 - #6 BAR @ 6" O.C. HORIZONTAL (2" CLR FROM INSIDE)
- ****HS-20 LOADING MAX BURY (5'-0") AS PER "AASHTO" STANDARDS****



2215 E. BROOKLYN AVE
SPOKANE, WA 99217
TOLL FREE 1-800-888-4573
(509) 325-4573 FAX (509) 325-5098
SPOKANE - LEWISTON - YAKIMA
www.wilbertprecast.com

DRAWN BY:
DCR

TITLE:		METER VAULT 6'-0" X 12'-0" HS-20 LOADING	
SIZE	DWG. NO.	SCALE:	DATE:
B	WIL612	NTS	10/1/2020