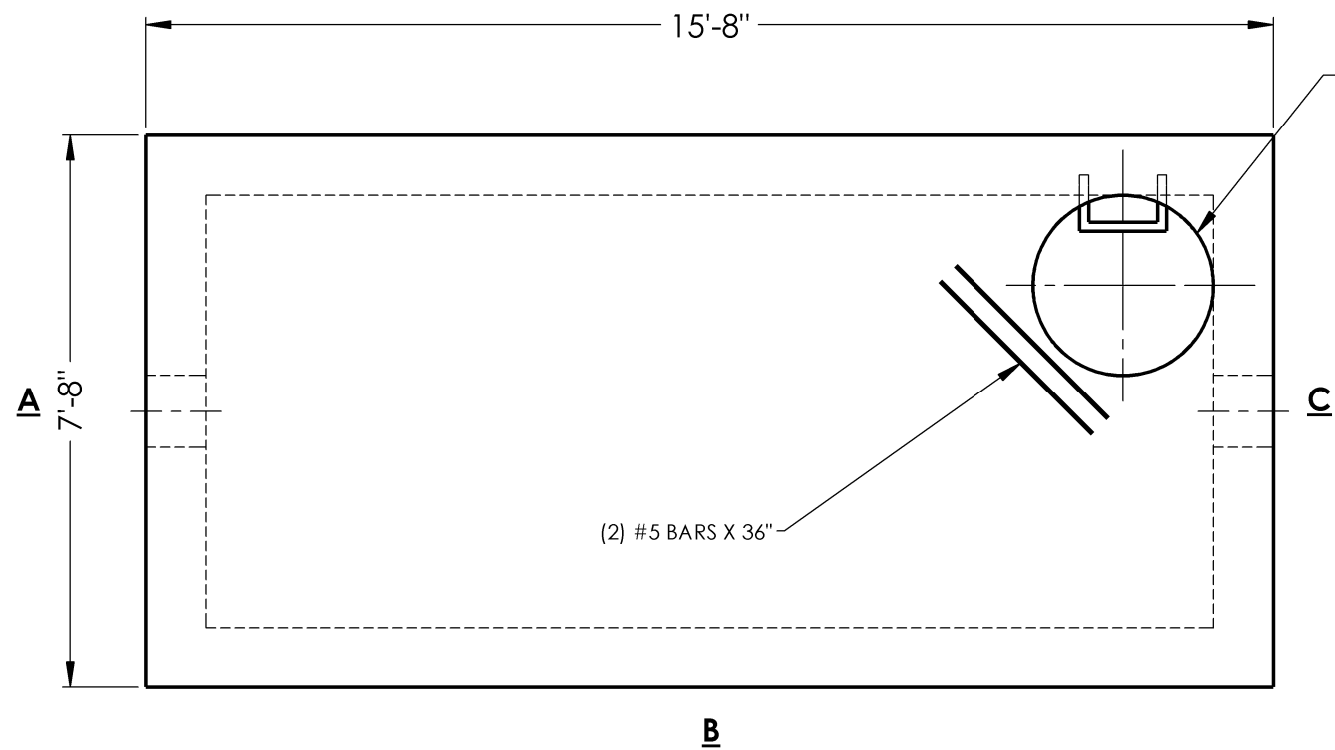


8 7 6 5 4 3 2 1



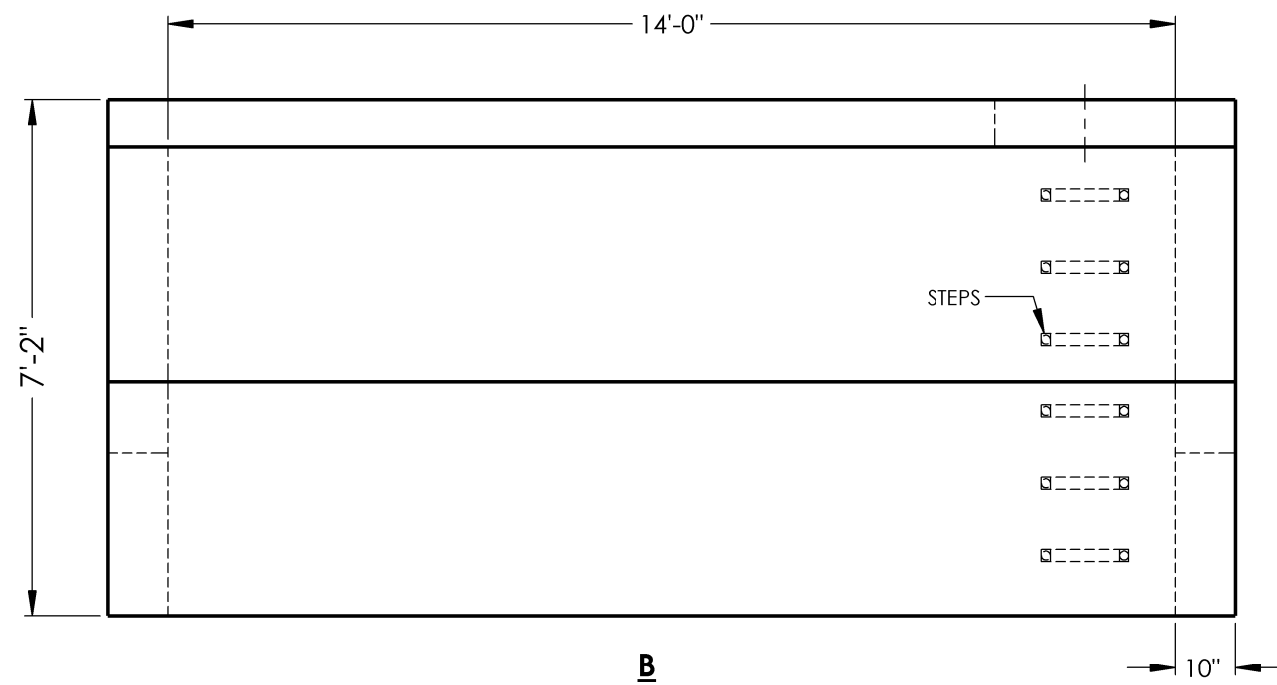
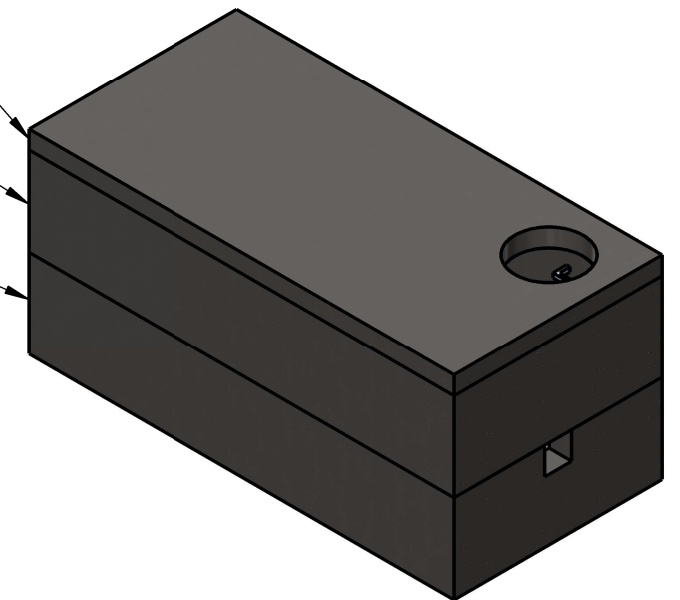
Ø30" ACCESS HOLE

(2) #5 BARS X 36"

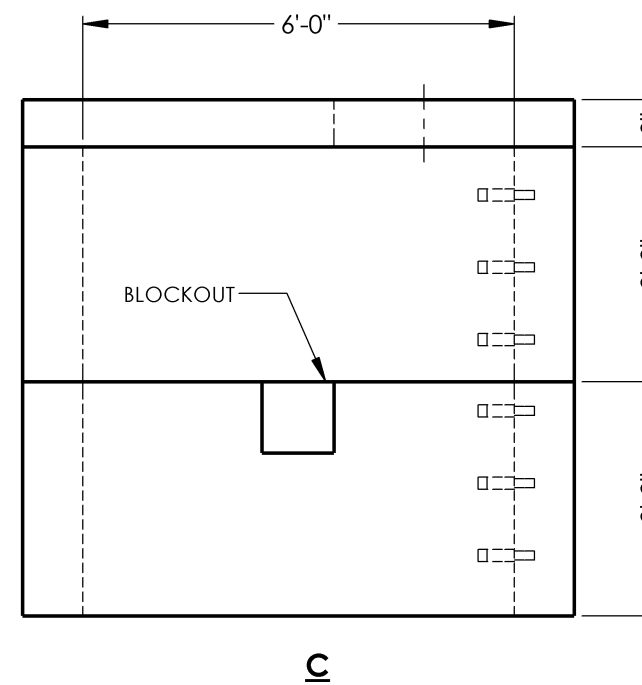
WIL614T
10,010#

WIL614W-39
10,235#

WIL614W-39
10,085#



STEPS



BLOCKOUT

REINFORCEMENT:

-LID -#5 BAR @ 5"O.C. TRANSVERSE
 -#5 BAR @ 8"O.C. LONGITUDINAL
 (CENTER IN LID)
-WALLS -#4 BAR @ 12"O.C.E.F. VERTICAL
 (DOUBLE MAT) -#5 BAR @ 8"O.C.E.F. HORIZONTAL
 (1/2" CLR TYP)
 ****HS-20 LOADING MAX BURY (5'-0") AS PER
 "AASHTO" STANDARDS****



2215 E. BROOKLYN AVE
 SPOKANE, WA 99217
 TOLL FREE 1-800-888-4573
 (509) 325-4573 FAX (509) 325-5098
 SPOKANE - LEWISTON - YAKIMA
 www.wilbertprecast.com

TITLE:

METER VAULT 6'-0" X 14'-0"
 HS-20 LOADING

SIZE

B

DWG. NO.

WIL614

SCALE:

NTS

DATE:

12/29/2020

DRAWN BY:
DCR

8 7 6 5 4 3 2 1