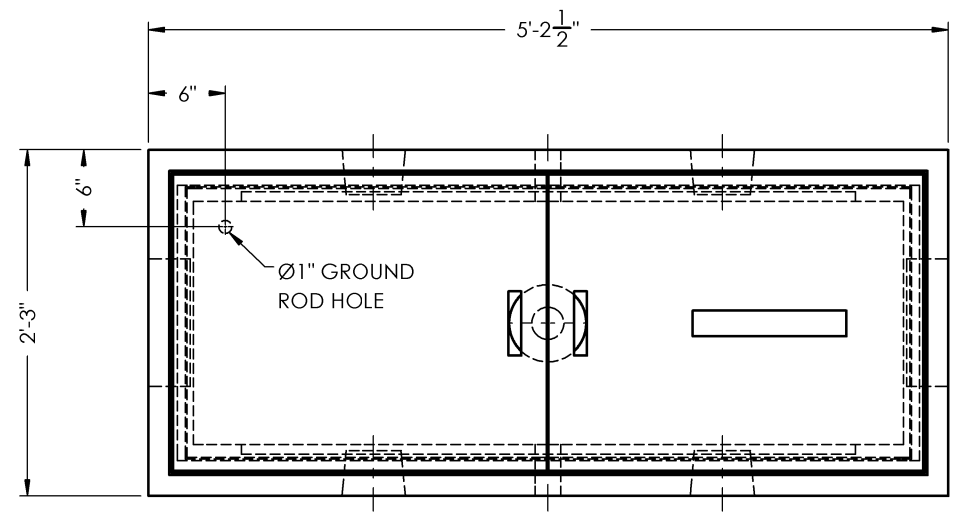
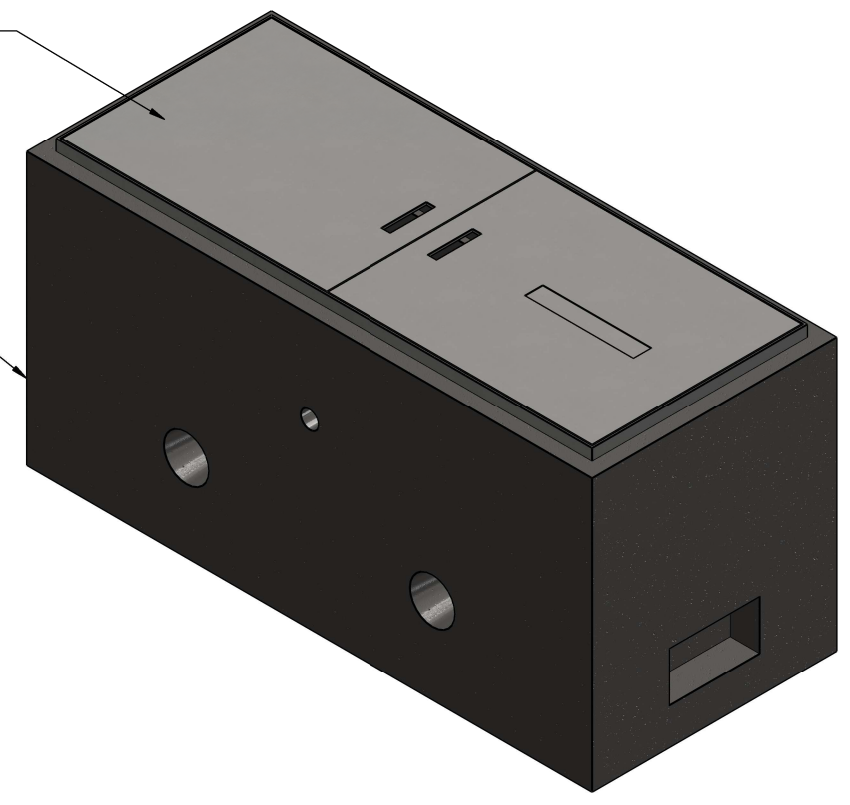


8 7 6 5 4 3 2 1

D

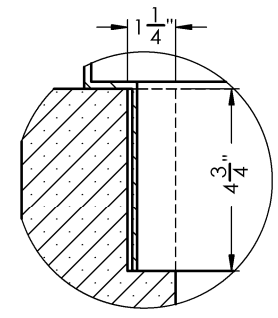


USF UFCB 16K
21 $\frac{1}{4}$ "X56 $\frac{3}{4}$ " HATCH



D

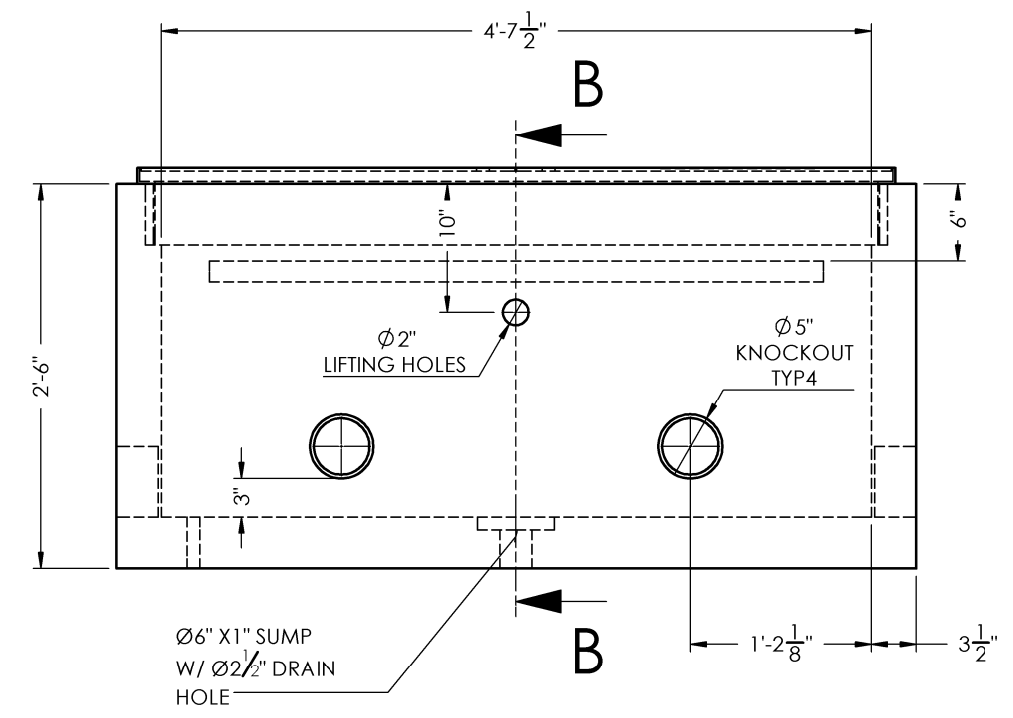
C



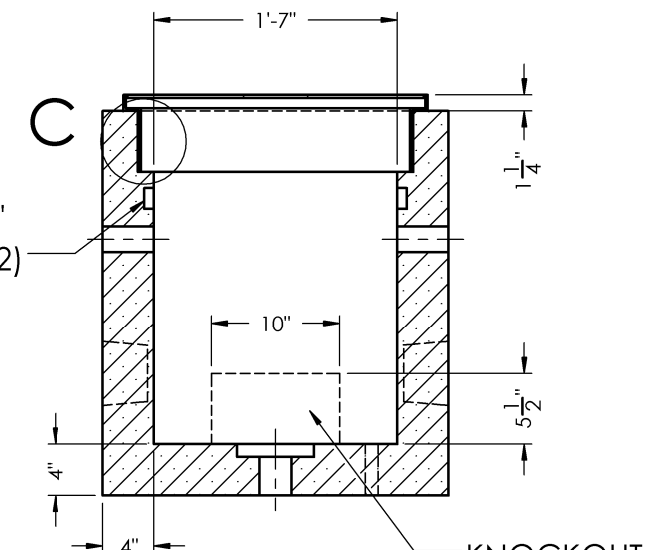
HATCH BLOCKOUT
DETAIL C

C

B



1 $\frac{5}{8}$ "X $\frac{3}{4}$ "X4'-0"
UNISTRUT (X2)



SECTION B-B

B

NOTES:
REINFORCEMENT:
-#4 BAR @12" O.C.E.W.



2215 E. BROOKLYN AVE
SPOKANE, WA 99217
TOLL FREE 1-800-888-4573
(509) 325-4573 FAX (509) 325-5098
SPOKANE - LEWISTON - YAKIMA
www.wilbertprecast.com

TITLE: WP25TA

REV:	SIZE	DWG. NO.	SCALE:	DATE:
DRAWN FOR:	B	1	NTS	5/20/2020
DRAWN BY: DCR				

8 7 6 5 4 3 2 1

A

A