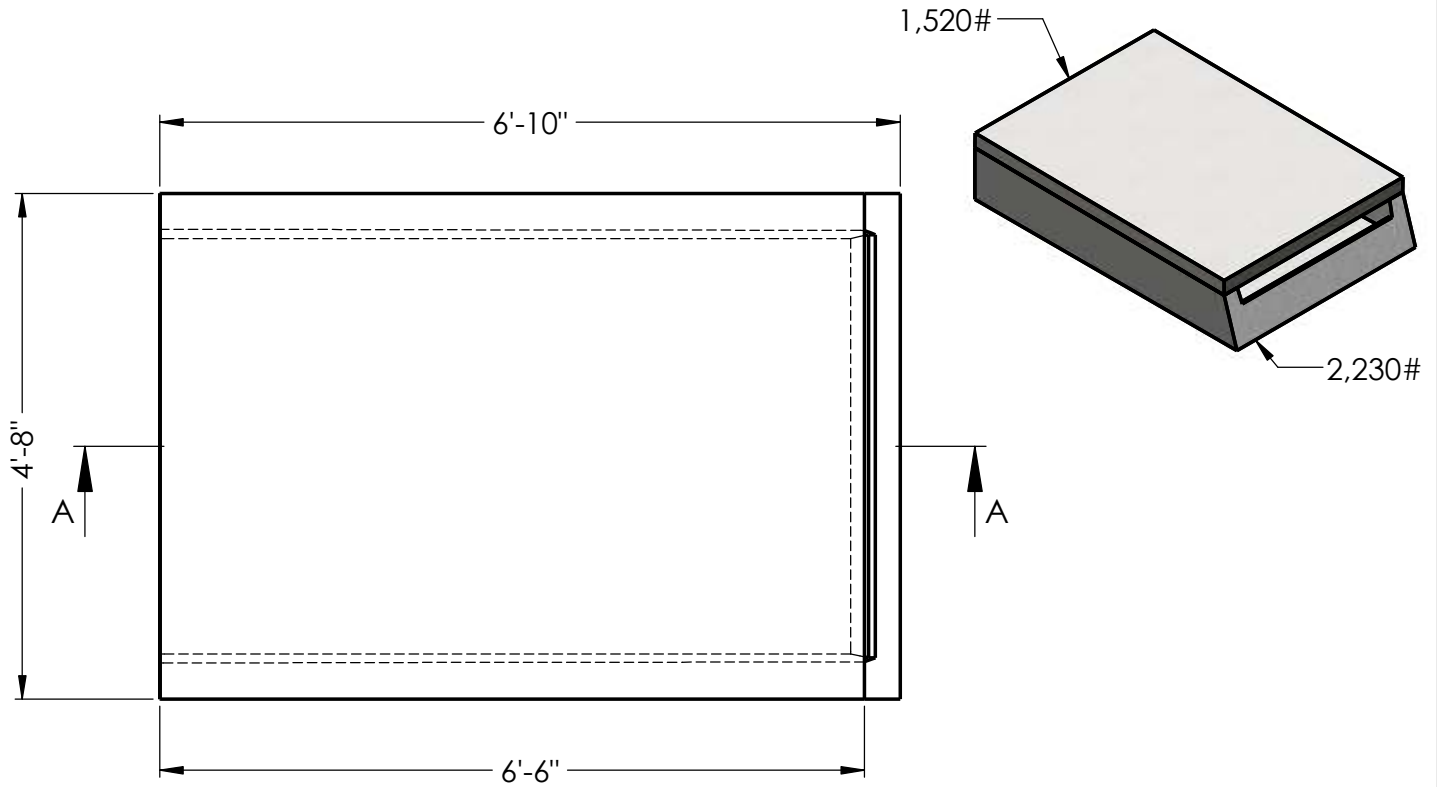
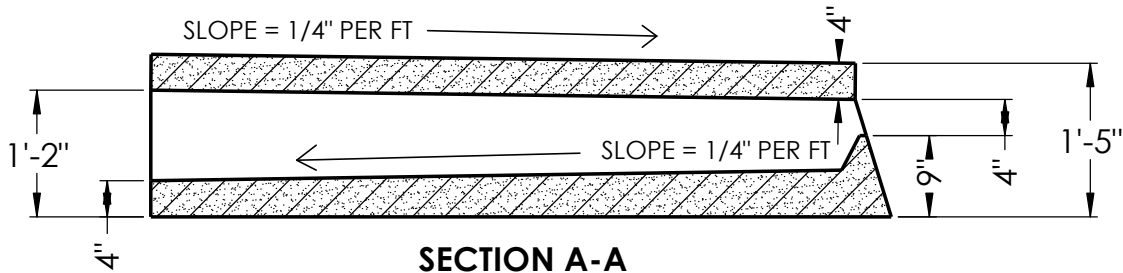




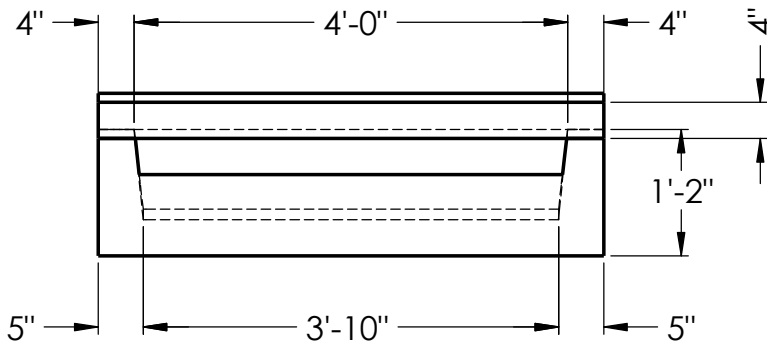
2215 E. BROOKLYN AVE - SPOKANE, WA 99217
 TOLL FREE 1-800-888-4573
 (509) 325-4573 FAX (509) 325-5098
 SPOKANE - LEWISTON - YAKIMA
www.wilbertprecast.com



PLAN VIEW



SECTION A-A



END VIEW

REBAR:

- #4 BAR @ 10" O.C.E.W. IN LID
- #4 U-BAR & #4 BAR STRAIGHTS
- IN BASE @ 10" O.C.

MODEL #:

SPECIAL CURB INLET TYPE 2

1840