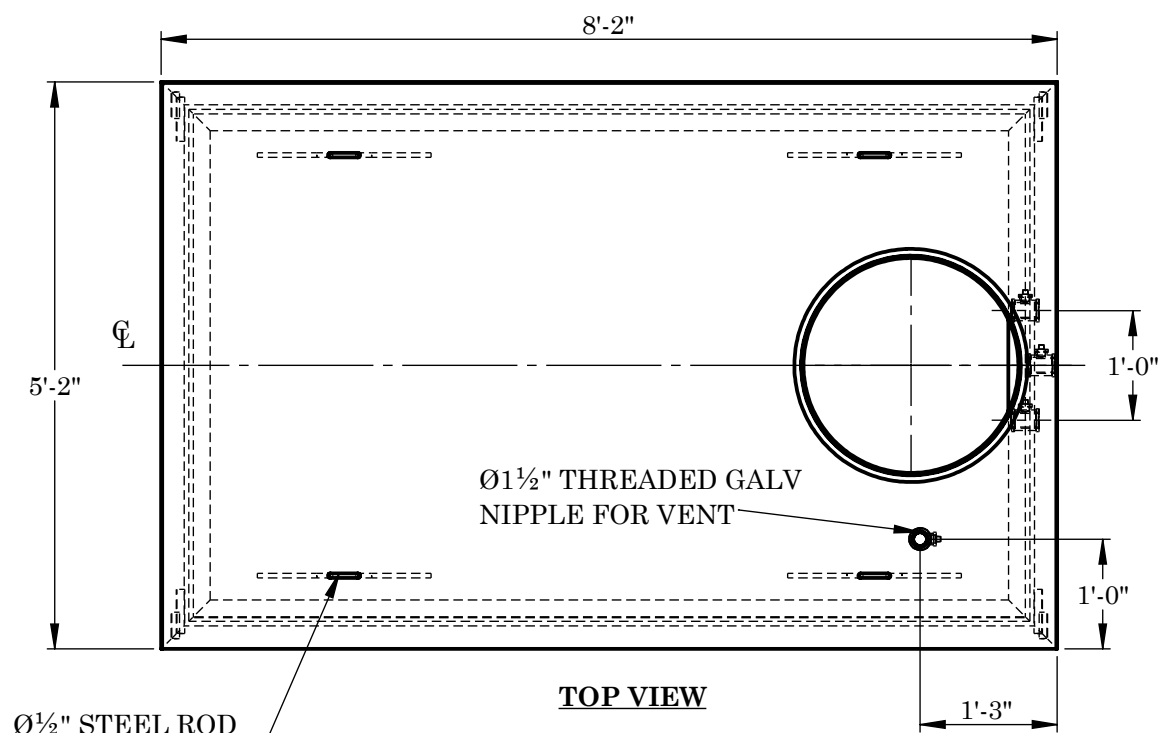
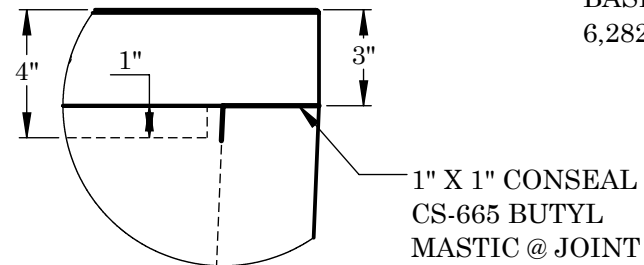


***WARRANTY - ALL TANKS MUST BE BACKFILLED AND COMPACTED PRIOR TO FILLING OR WARRANTY IS VOID.**



TOP VIEW

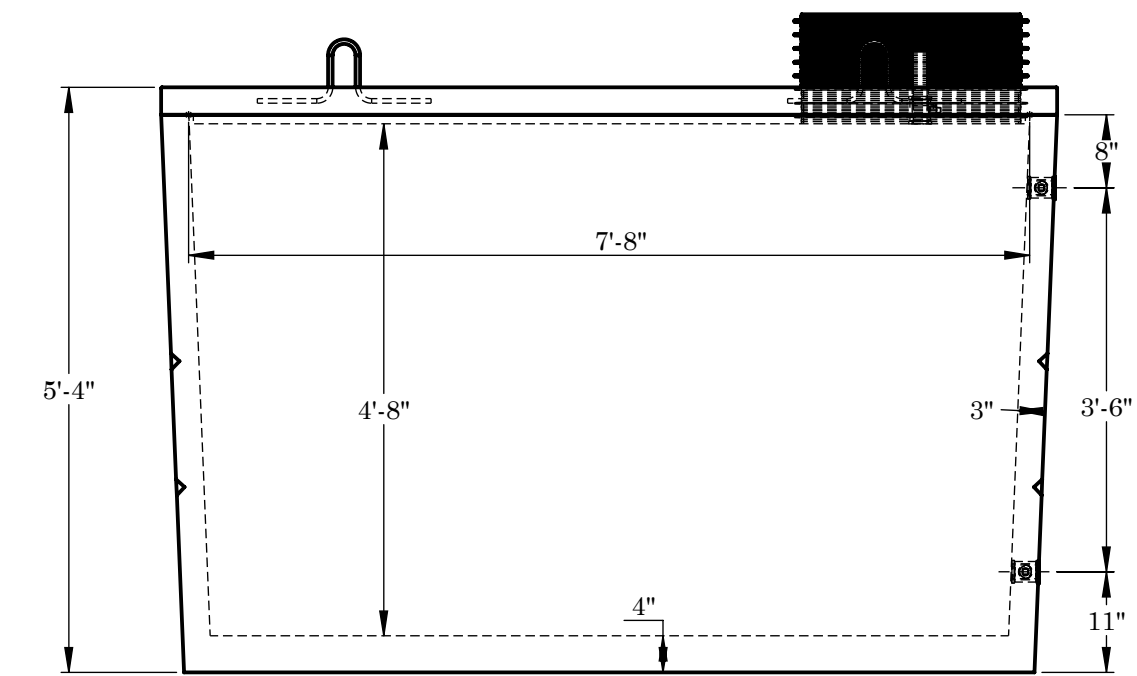
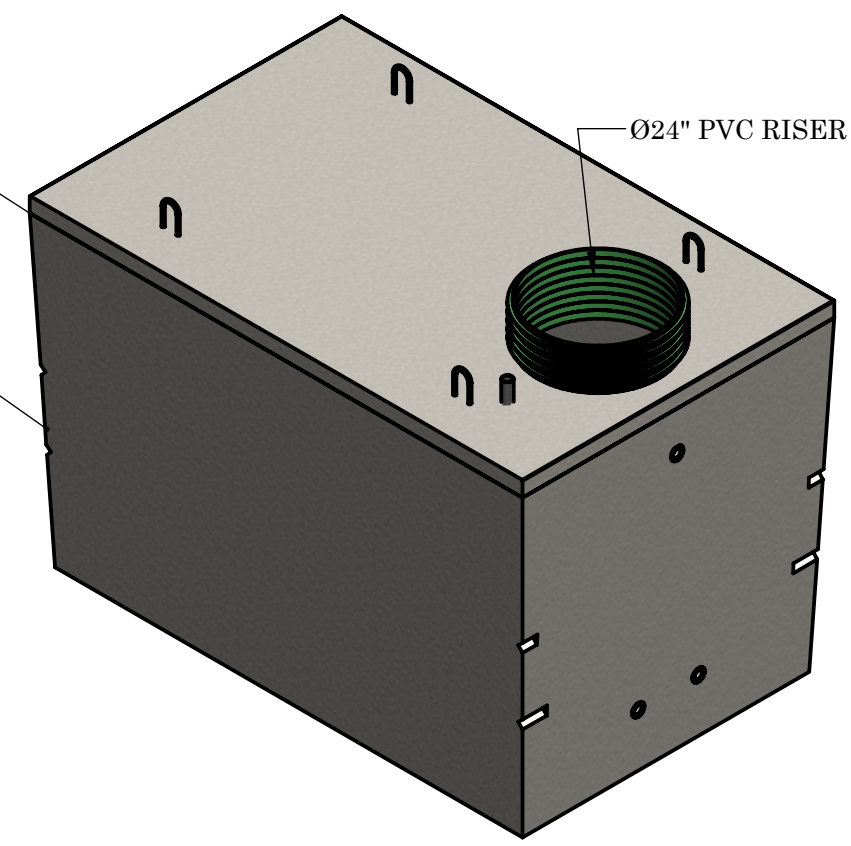
Ø½" STEEL ROD LIFTING EMBED TYP 4



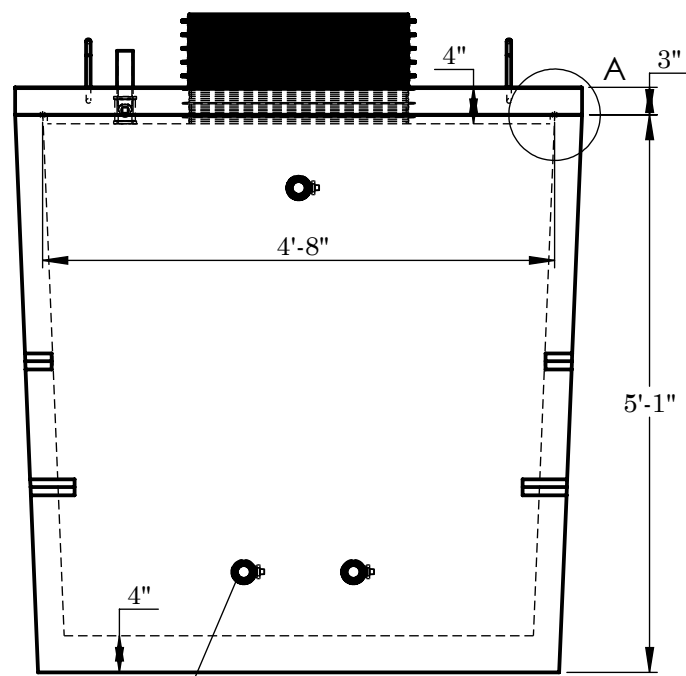
SHIPLAP DETAIL A

LID 1,859#

BASE 6,282#



FRONT VIEW



(3) Ø1½" GALV FITTINGS SIDE VIEW

BEDDING:
4" PEA GRAVEL (NO WATER PRESENT)

GALVANIZED FITTING OPTIONS:
Ø1", 1¼", 1½", 2". CUSTOM TANKS FITTINGS CAN BE LOCATED ANYWHERE IN TANK

TOP ACCESS HOLE OPTIONS:
FLANGE ADAPTERS Ø24" OR Ø30"
PVC RISERS Ø24" OR Ø30"

EXCAVATION:
12" LARGER EACH WAY THAN TANK DIM.
MAX COVER ON TOP 3'-0"

REINFORCEMENT:
LID:
- #4 BARS @ 6" O.C.E.W. IN TOP, (2) #4 BARS X CONT EACH SIDE OF ACCESS
WALLS & BASE
- 6x6 10 GA WIRE MESH IN WALLS UP 12" FROM BOTTOM
- 6x6 10 GA WIRE MESH IN BASE
- #3 L PERIMETER BARS 12" DOWN FROM TOP OF BASE



**2215 E. BROOKLYN AVE
SPOKANE, WA 99217
TOLL FREE 1-800-888-4573
(509) 325-4573 FAX (509) 325-5098
SPOKANE - LEWISTON - YAKIMA
www.wilbertprecast.com**

TITLE: 1200 GALLON MONO WATER TANK			
SIZE B	DWG. NO. #1701M	SCALE: NTS	DATE: 10/30/2025

DRAWN BY:
TH