

8 7 6 5 4 3 2 1

D

D

C

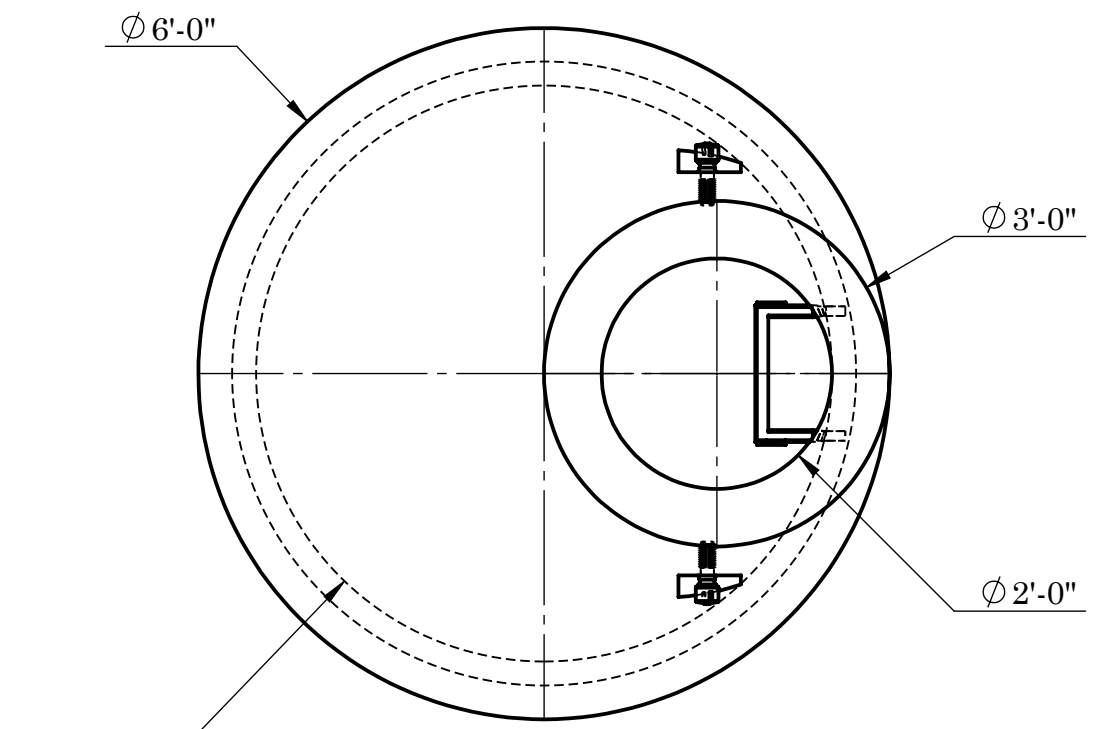
C

B

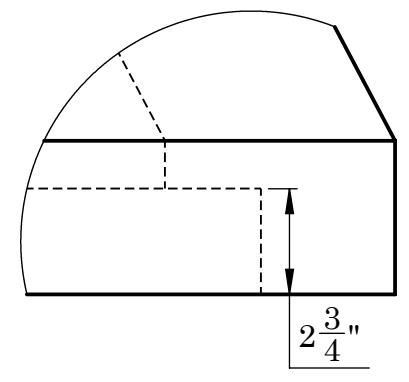
B

A

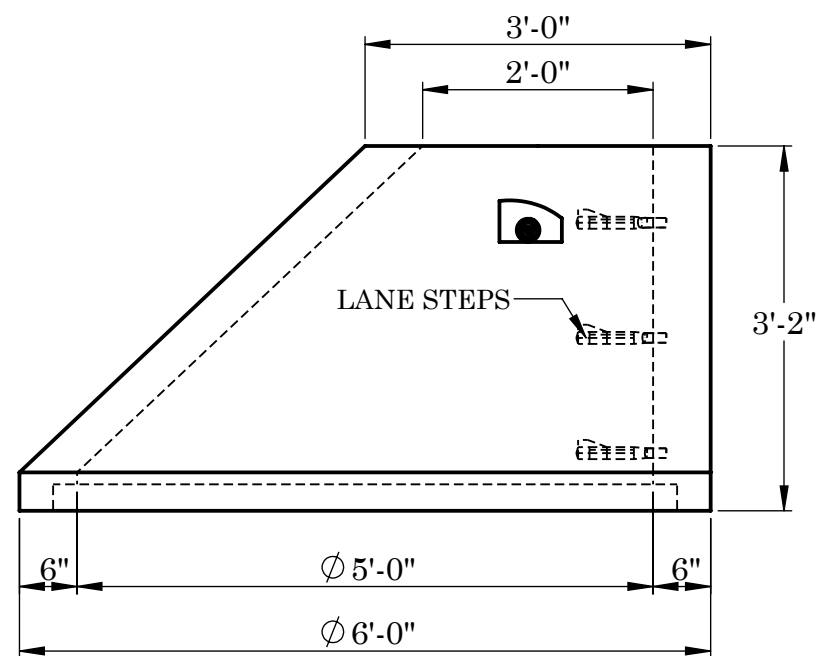
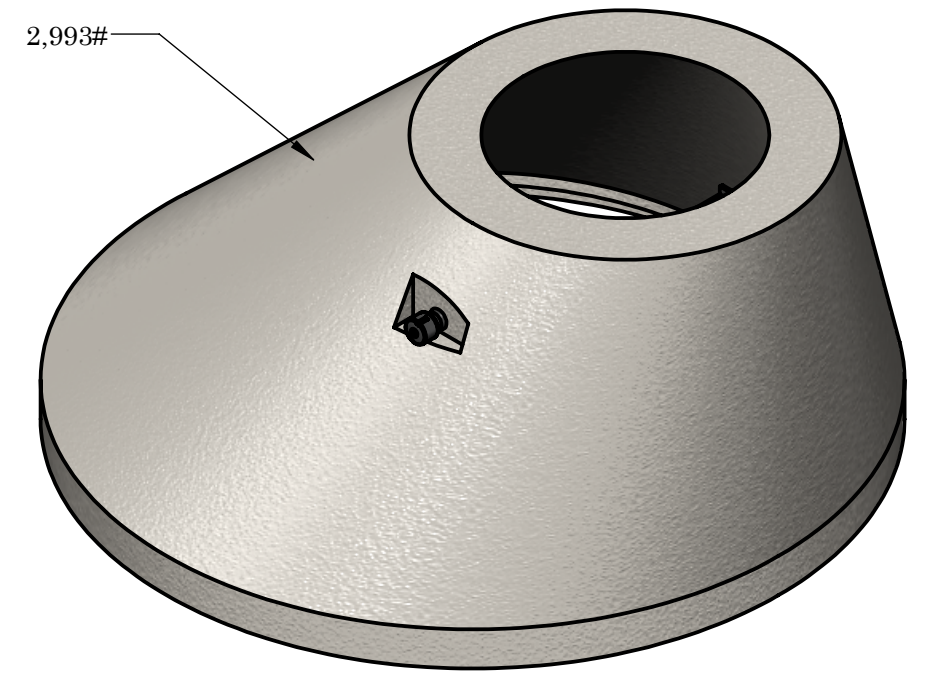
A



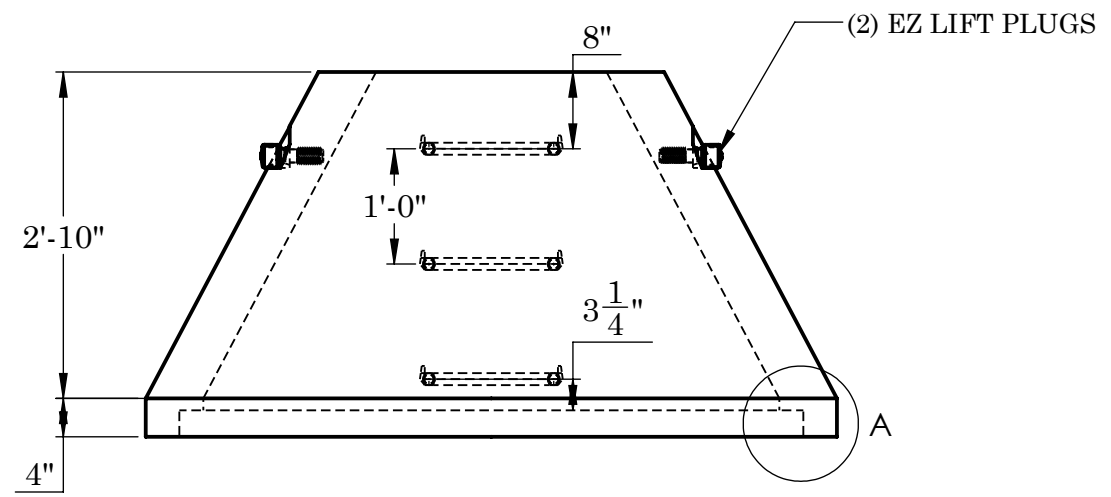
TOP VIEW



SHIPLAP DETAIL A



FRONT VIEW



SIDE VIEW

NOTES:
 REINFORCEMENT:
 #4 BAR HOOP IN BASE W/STRUCTURAL
 FIBER MESH THROUGHOUT



2215 E. BROOKLYN AVE
 SPOKANE, WA 99217
 TOLL FREE 1-800-888-4573
 (509) 325-4573 FAX (509) 325-5098
 SPOKANE - LEWISTON - YAKIMA
 www.wilbertprecast.com

TITLE:		Ø60" MANHOLE 3' ECCENTRIC CONE	
SIZE	DWG. NO.	SCALE:	DATE:
B	600E-3	NTS	11/28/2018
DRAWN BY: TH			

8 7 6 5 4 3 2 1