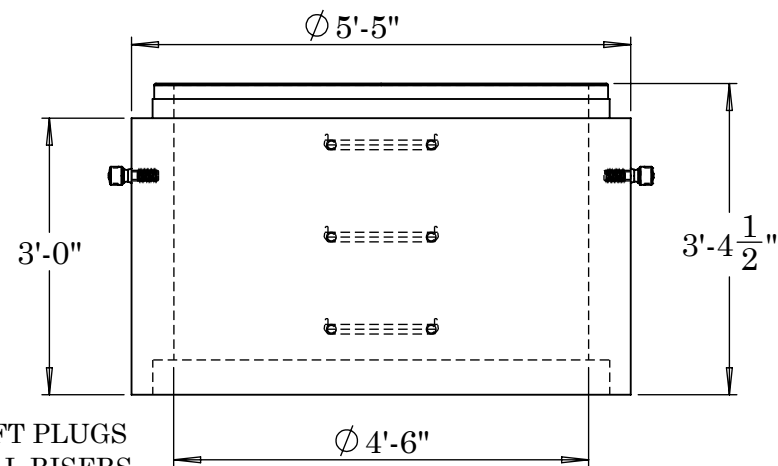
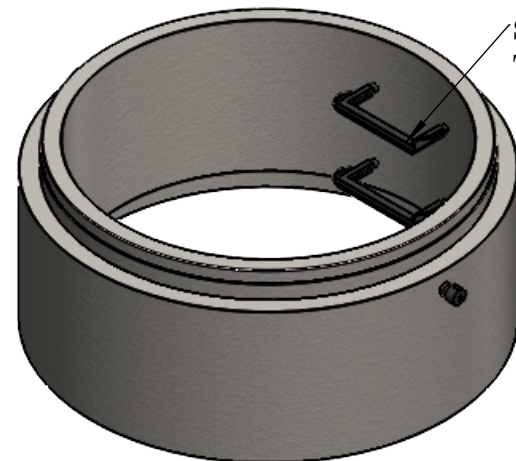
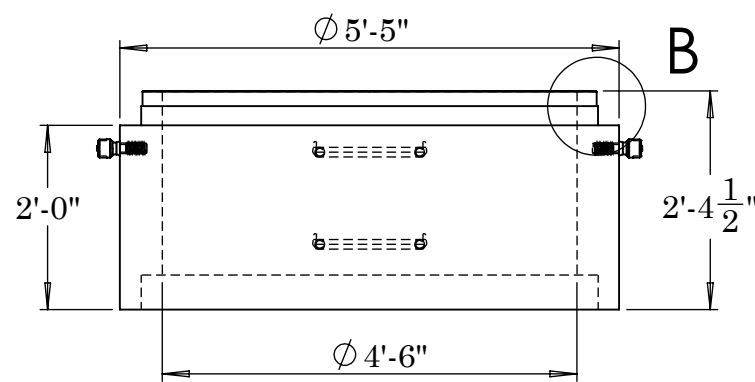


PRODUCT #: 541
WEIGHT #: 1,070 LBS

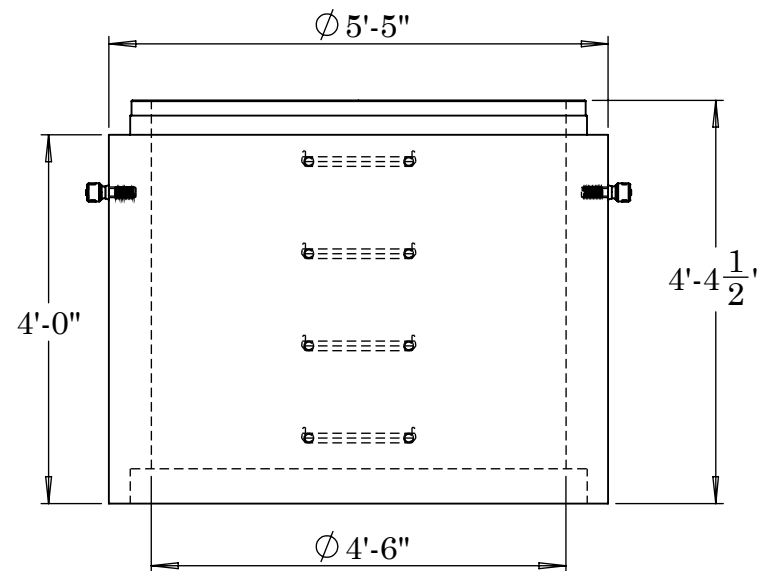
EZ LIFT PLUGS
ON ALL RISERS



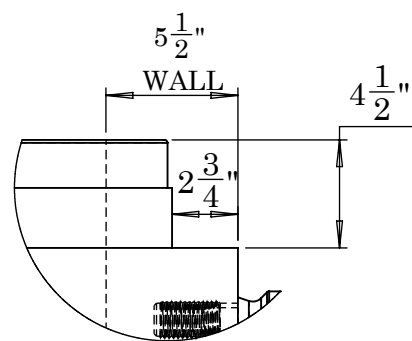
PRODUCT #: 543
WEIGHT #: 3,209 LBS



STEPS ADDED
TO ALL RISERS



PRODUCT #: 544
WEIGHT #: 4,278 LBS



SHIPLAP DETAIL B
(SAME FOR ALL SIZES)

REINFORCEMENT:
-4X8 W4/W1.7 WIRE CAGE THROUGHOUT



2215 E. BROOKLYN AVE
SPOKANE, WA 99217
TOLL FREE 1-800-888-4573
(509) 325-4573 FAX (509) 325-5098
SPOKANE - LEWISTON - YAKIMA
www.wilbertprecast.com

TITLE: Ø54" MANHOLE RISER PRODUCT SIZES

SIZE B	DWG. NO. Ø54" MH	SCALE: NTS	DATE: 10/17/2025
-------------------------	----------------------------	----------------------	----------------------------

DRAWN BY:
TH