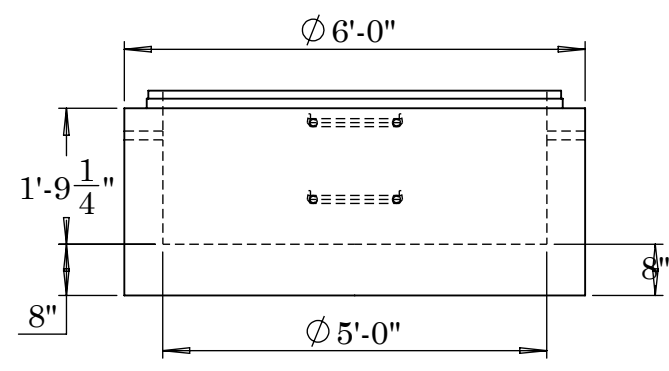


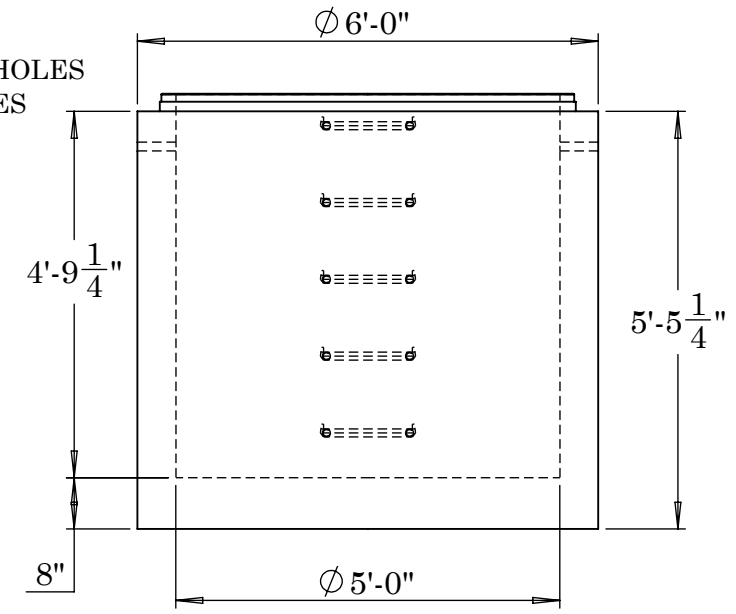
8 7 6 5 4 3 2 1

D



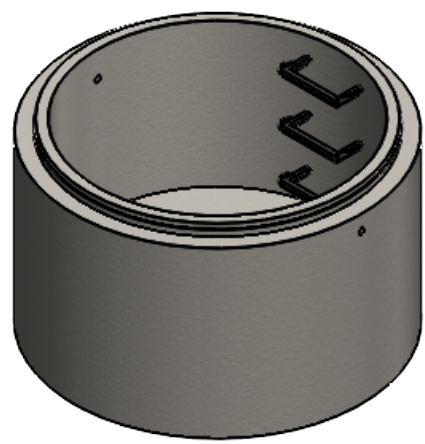
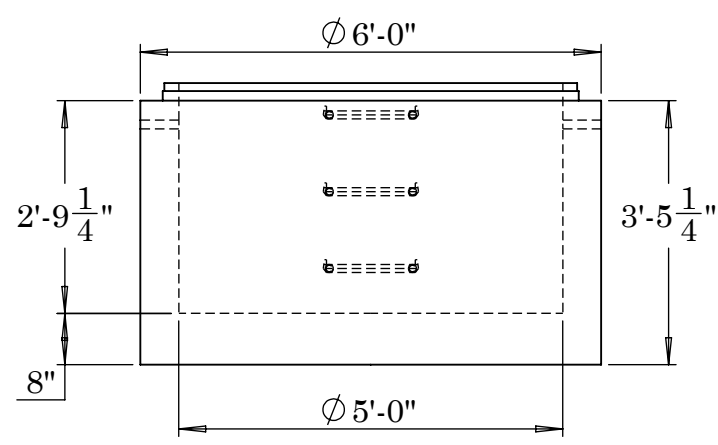
(2) LIFTING HOLES ON ALL BASES

PRODUCT #: 602B
WEIGHT #: 5,233 LBS

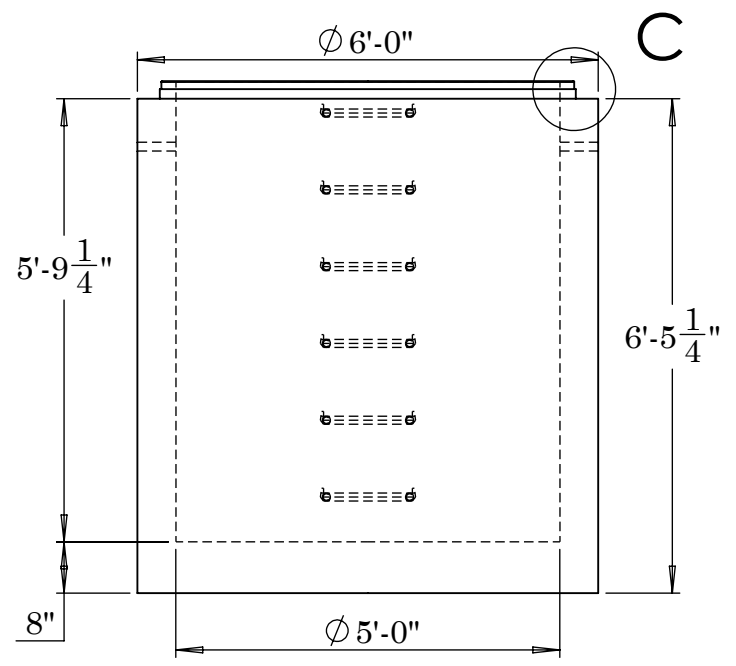


PRODUCT #: 605B
WEIGHT #: 9,118 LBS

C

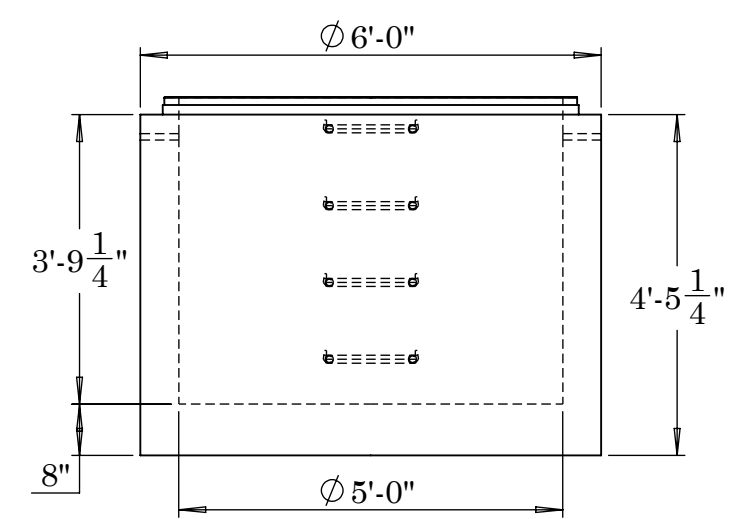


PRODUCT #: 603B
WEIGHT #: 6,528 LBS



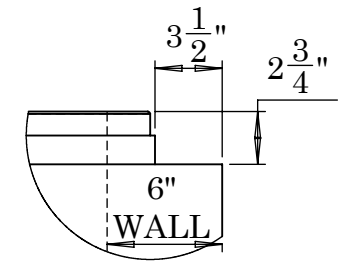
PRODUCT #: 606B
WEIGHT #: 10,414 LBS

B



LANE STEPS IN ALL BASES

PRODUCT #: 604B
WEIGHT #: 7,823 LBS



SHIPLAP DETAIL C
(SAME FOR ALL SIZES)

A

REINFORCEMENT:
BASE:
#4 BAR @ 6" O.C.E.W
WALLS:
-4X8 W4/W1.7 WIRE CAGE THROUGHOUT



2215 E. BROOKLYN AVE
SPOKANE, WA 99217
TOLL FREE 1-800-888-4573
(509) 325-4573 FAX (509) 325-5098
SPOKANE - LEWISTON - YAKIMA
www.wilbertprecast.com

TITLE:		Ø60" MANHOLE BASE PRODUCT SIZES	
SIZE	DWG. NO.	SCALE:	DATE:
B	Ø60" MHB	NTS	10/17/2025

DRAWN BY:
TH

8 7 6 5 4 3 2 1