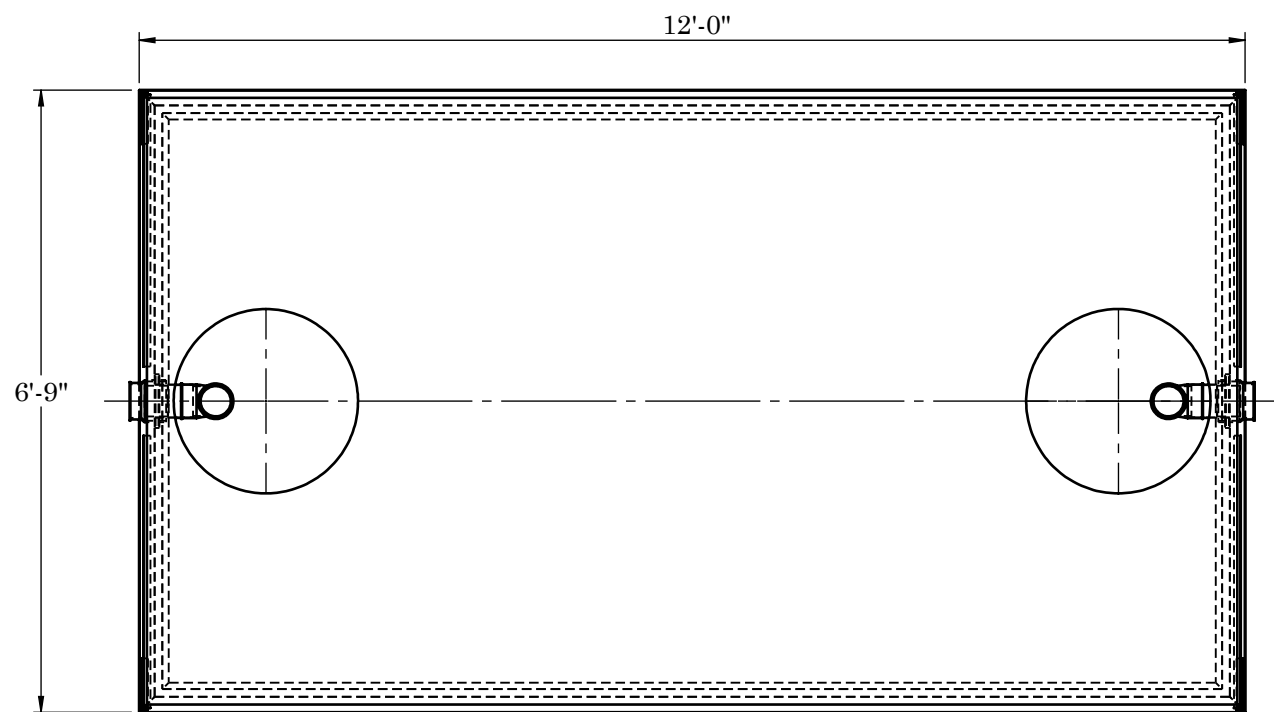
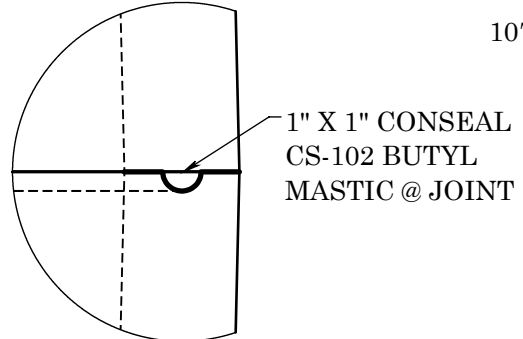


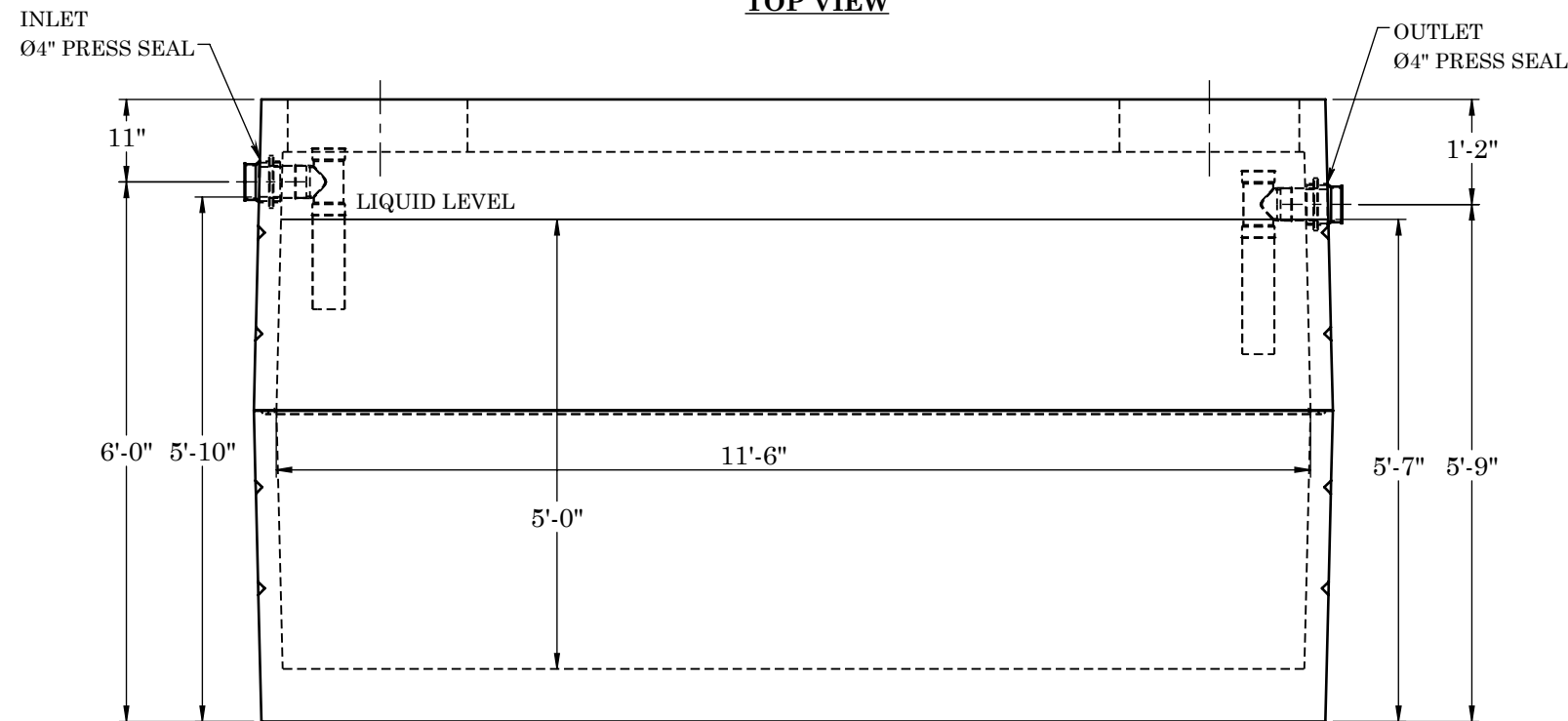
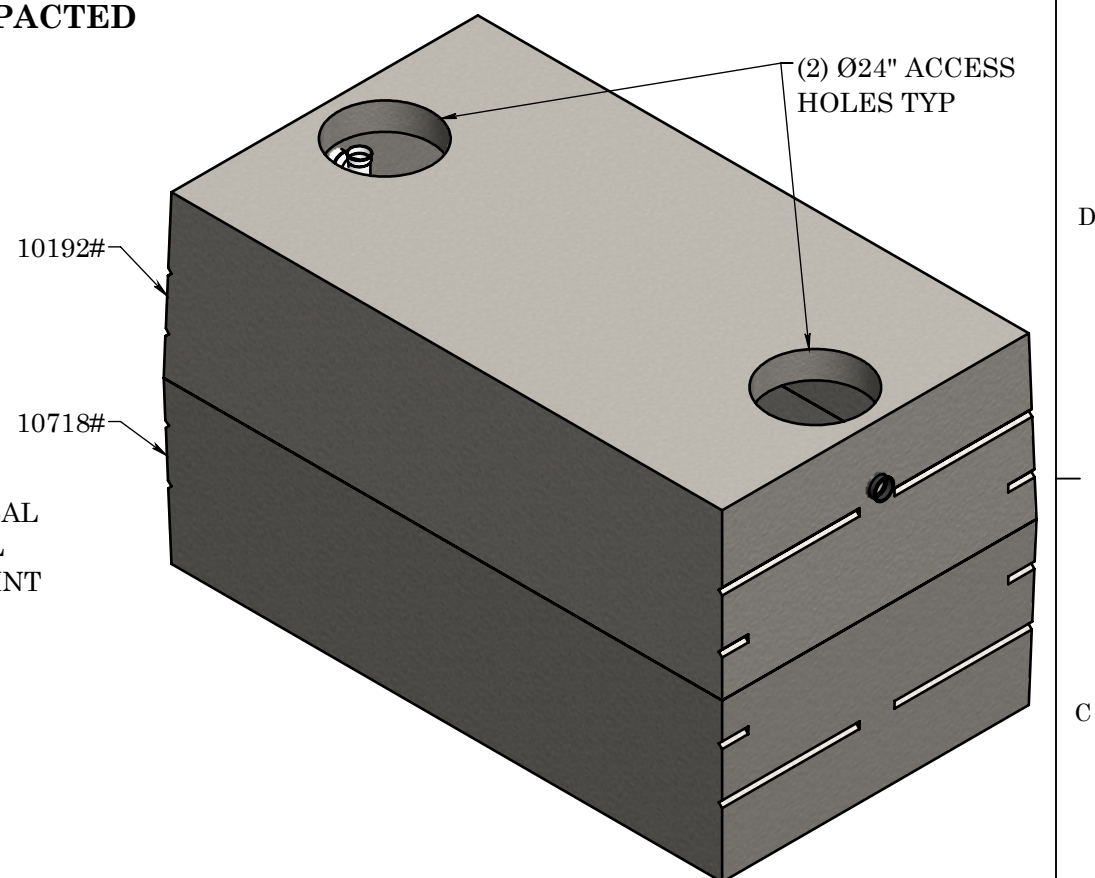
WARRANTY: ALL TANKS MUST BE BACKFILLED AND COMPACTED PRIOR TO FILLING OR WARRANTY IS VOID



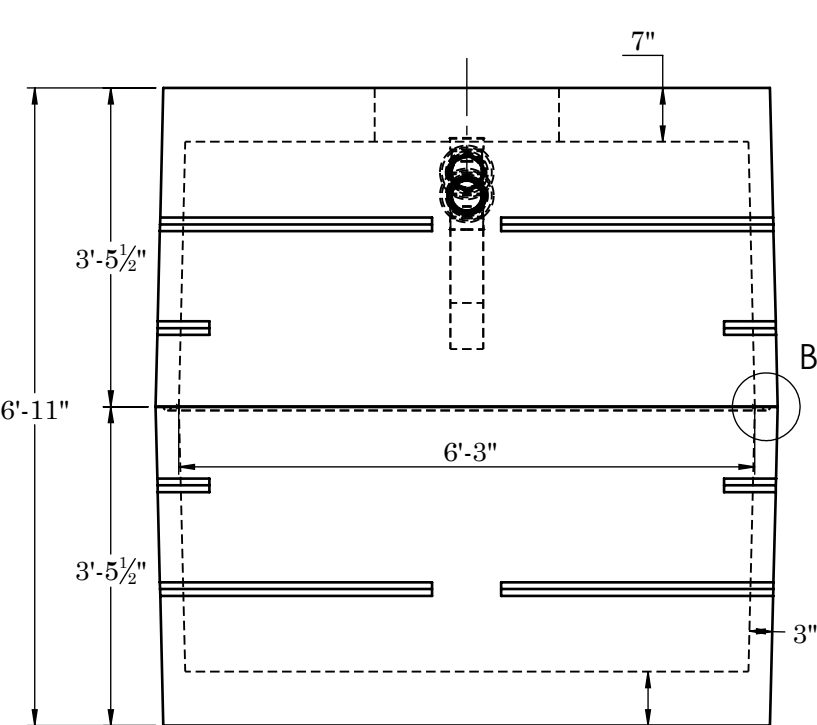
TOP VIEW



JOINT DETAIL B



FRONT VIEW



SIDE VIEW

CONCRETE:
TANK CONSTRUCTION UTILIZES 6000 PSI CONCRETE AND GRADE 60 REBAR

GALLON CALCS:
6'-3"W X 11'-6"L X 5'-0"H X 7.48 = 2688 GALLONS

RISERS:
PVC: Ø24" AND FIBER COVER (TO GRADE)
CONCRETE: Ø24" X 8" OR 12" (6" BELOW GRADE)

BEDDING:
4" PEA GRAVEL (NO WATER PRESENT)

EXCAVATION:
12" LARGER THAN TANK DIMENSIONS EACH WAY, MAX BURY DEPTH 3'-0"

REINFORCEMENT:	
-TOP	#4 U-BARS @ 5" O.C.E.W. (2) #4 BARS EACH SIDE OF ACCESS
-SIDES	#4 BAR @ 5" O.C. HORIZONTAL
-BASE	#4 U-BARS @ 5" O.C.E.W.



**2215 E. BROOKLYN AVE
SPOKANE, WA 99217
TOLL FREE 1-800-888-4573
(509) 325-4573 FAX (509) 325-5098
SPOKANE - LEWISTON - YAKIMA
www.wilbertprecast.com**

TITLE: 2500 GALLON SINGLE COMPARTMENT 2-PIECE SEPTIC TANK HEAVY			
SIZE	DWG. NO.	SCALE:	DATE:
B	#1617TB	NTS	12/8/2025