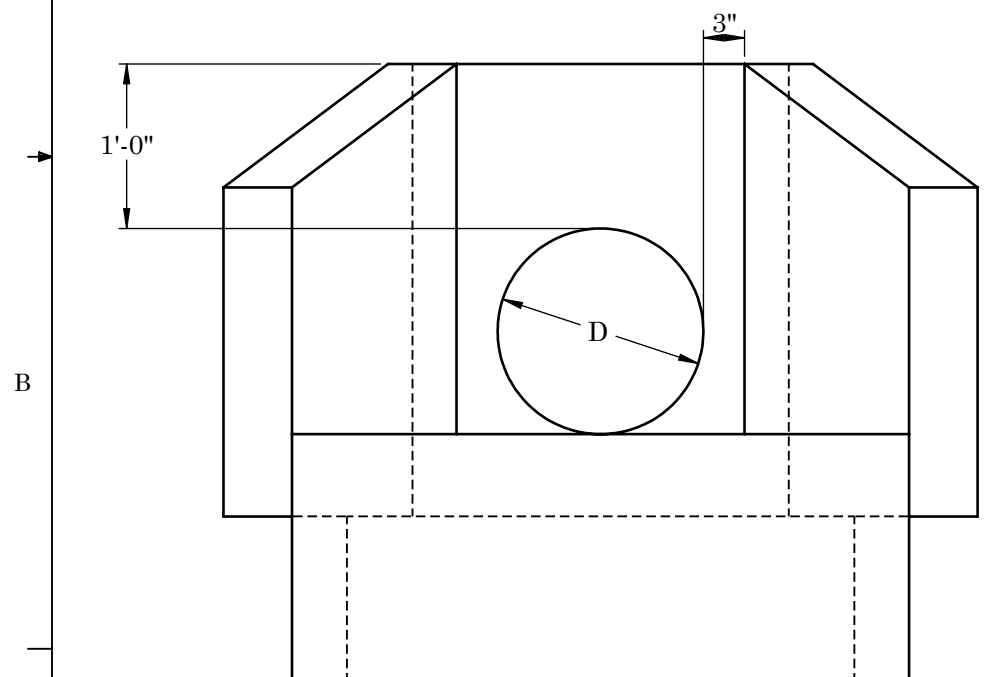
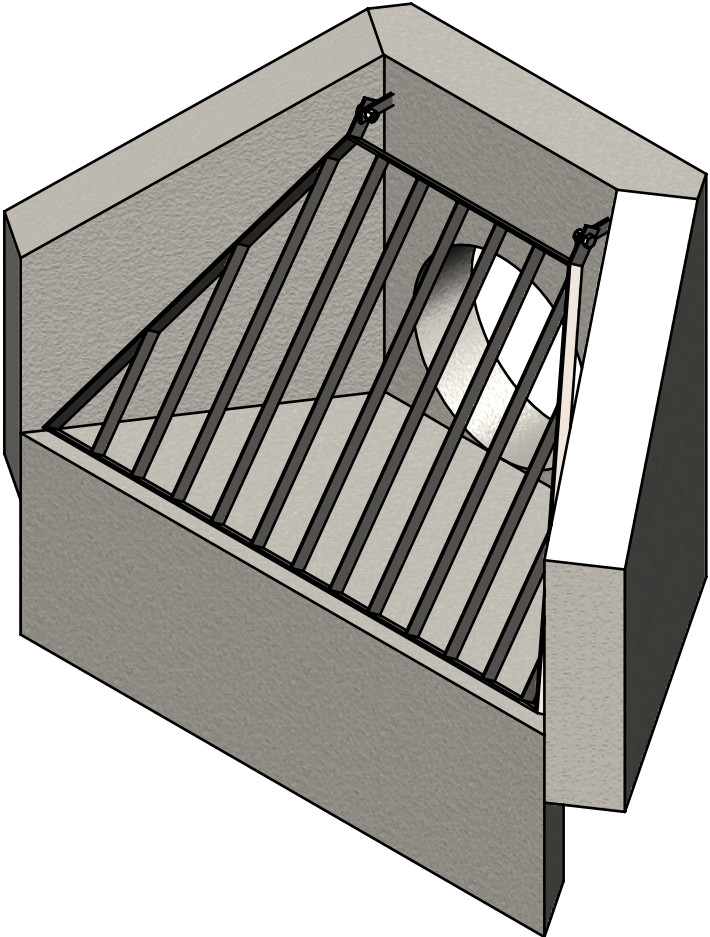
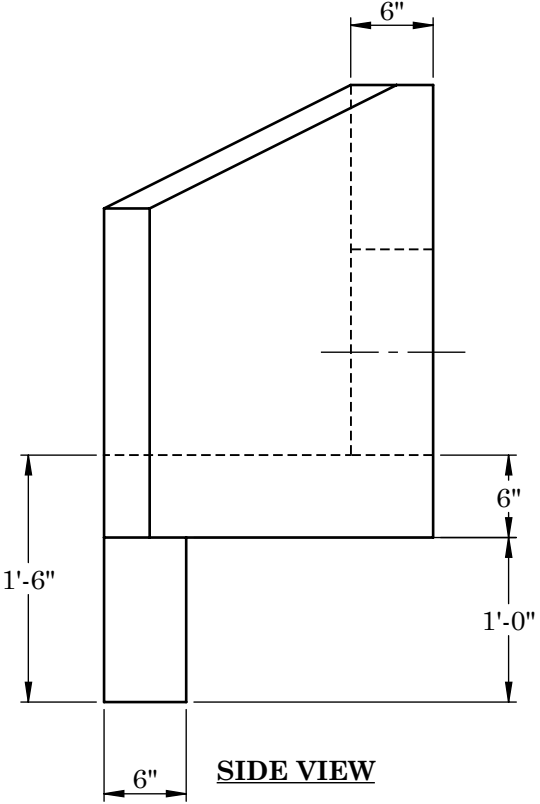


**TOP VIEW**



**FRONT VIEW**



**SIDE VIEW**

PRODUCT #	D	L	E	F	W	A	B	C	H	WEIGHT
4016S-15	15"	1'-9 <sup>5</sup> / <sub>8</sub> "	1'-0"	1'-6"	1'-9"	2'-3 <sup>7</sup> / <sub>16</sub> "	2'-4 <sup>13</sup> / <sub>16</sub> "	2'-0"	4'-11 <sup>7</sup> / <sub>16</sub> "	1588#
4016S-18	18"	2'-3 <sup>1</sup> / <sub>8</sub> "	1'-3"	1'-10 <sup>1</sup> / <sub>2</sub> "	2'-0"	2'-6 <sup>7</sup> / <sub>16</sub> "	2'-10 <sup>1</sup> / <sub>4</sub> "	2'-4 <sup>1</sup> / <sub>2</sub> "	5'-8 <sup>7</sup> / <sub>16</sub> "	2096#
4016S-24	24"	3'-1 <sup>7</sup> / <sub>8</sub> "	1'-9"	2'-7 <sup>1</sup> / <sub>2</sub> "	2'-6"	3'-0 <sup>7</sup> / <sub>16</sub> "	3'-9 <sup>1</sup> / <sub>16</sub> "	3'-1 <sup>1</sup> / <sub>2</sub> "	7'-2 <sup>7</sup> / <sub>16</sub> "	3303#
4016S-30	30"	4'-0 <sup>5</sup> / <sub>8</sub> "	2'-3"	3'-4 <sup>1</sup> / <sub>2</sub> "	3'-0"	3'-6 <sup>7</sup> / <sub>16</sub> "	4'-7 <sup>7</sup> / <sub>8</sub> "	3'-10 <sup>1</sup> / <sub>2</sub> "	8'-10 <sup>7</sup> / <sub>16</sub> "	5025#
4016S-36	36"	4'-11 <sup>1</sup> / <sub>2</sub> "	2'-9"	4'-1 <sup>1</sup> / <sub>2</sub> "	3'-6"	4'-0 <sup>7</sup> / <sub>16</sub> "	5'-6 <sup>11</sup> / <sub>16</sub> "	4'-7 <sup>1</sup> / <sub>2</sub> "	10'-2 <sup>7</sup> / <sub>16</sub> "	6486#
4016S-42	42"	5'-10 <sup>1</sup> / <sub>4</sub> "	3'-3"	4'-10 <sup>1</sup> / <sub>2</sub> "	4'-0"	4'-6 <sup>7</sup> / <sub>16</sub> "	6'-5 <sup>1</sup> / <sub>2</sub> "	5'-4 <sup>1</sup> / <sub>2</sub> "	11'-8 <sup>7</sup> / <sub>16</sub> "	8463#
4016S-48	48"	6'-9 <sup>1</sup> / <sub>8</sub> "	3'-9"	5'-7 <sup>1</sup> / <sub>2</sub> "	4'-6"	5'-0 <sup>7</sup> / <sub>16</sub> "	7'-4 <sup>3</sup> / <sub>8</sub> "	6'-1 <sup>1</sup> / <sub>2</sub> "	13'-2 <sup>7</sup> / <sub>16</sub> "	10692#

**REINFORCEMENT:**  
 #4 BAR @ 12" O.C. E.W. THROUGHOUT  
 -OTHER SIZES AVAILABLE FOR LARGER PIPE DIAMETERS



2215 E. BROOKLYN AVE  
 SPOKANE, WA 99217  
 TOLL FREE 1-800-888-4573  
 (509) 325-4573 FAX (509) 325-5098  
 SPOKANE - LEWISTON - YAKIMA  
 www.wilbertprecast.com

<b>TITLE:</b> WINGWALL / HEADWALL			
<b>SIZE</b> B	<b>DWG. NO.</b> 4016	<b>SCALE:</b> NTS	<b>DATE:</b> 12/9/2025

DRAWN BY:  
DCR