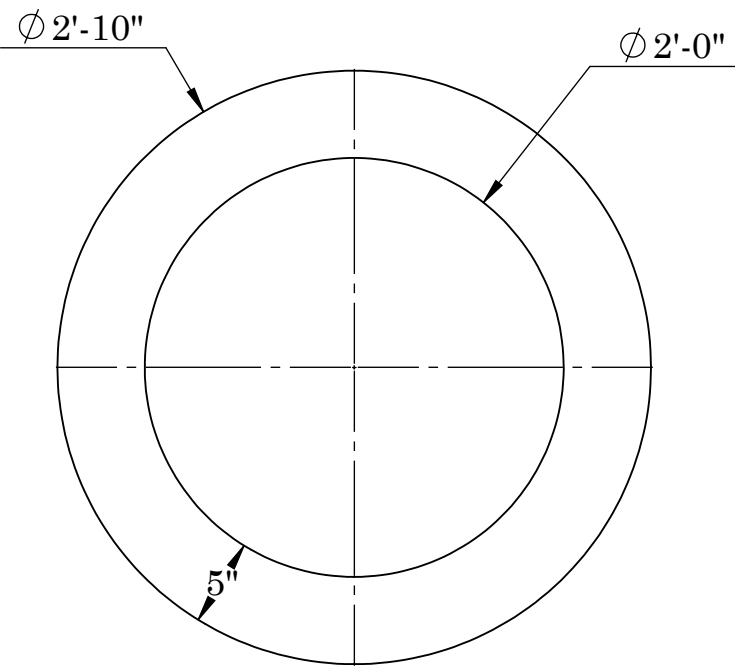


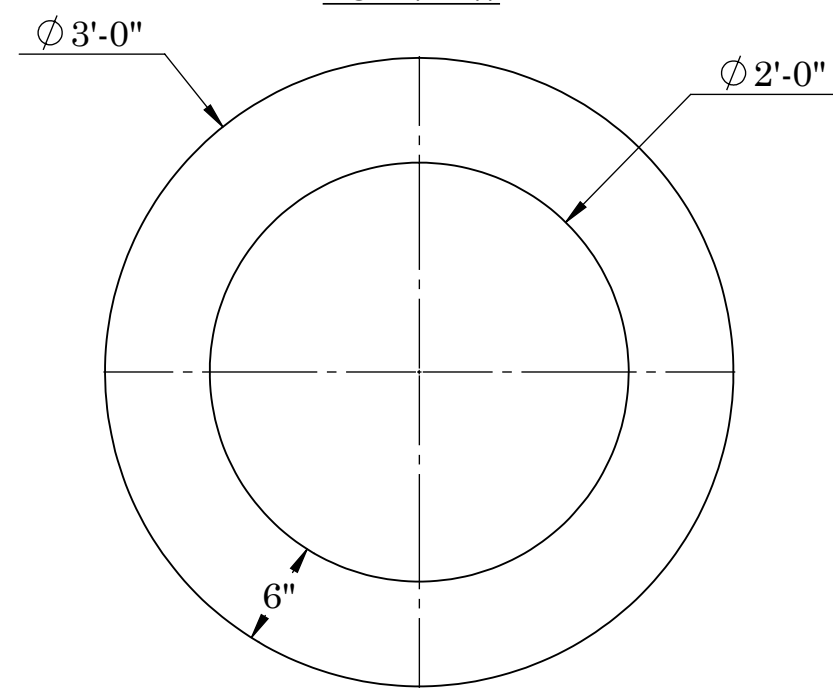
8 7 6 5 4 3 2 1

D



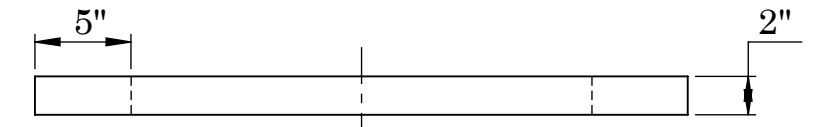
GRADE RINGS 2" - 6"
TOP VIEW

C

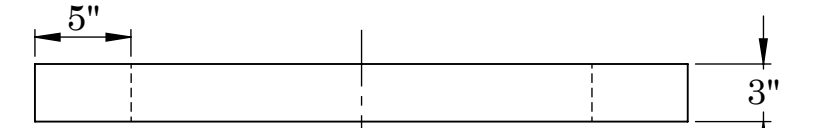


GRADE RINGS 1'-1"
TOP VIEW

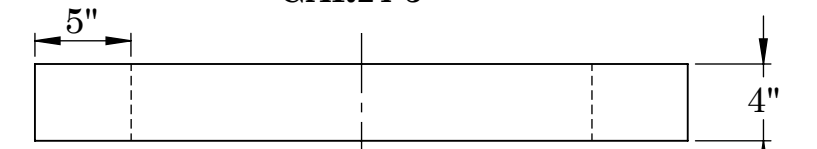
B



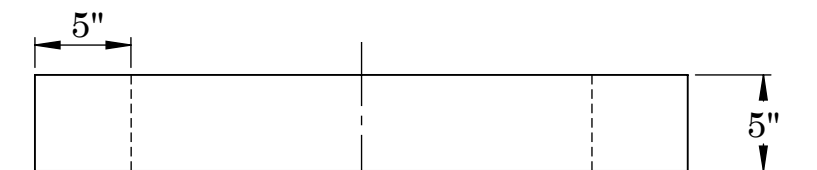
GAR24-2



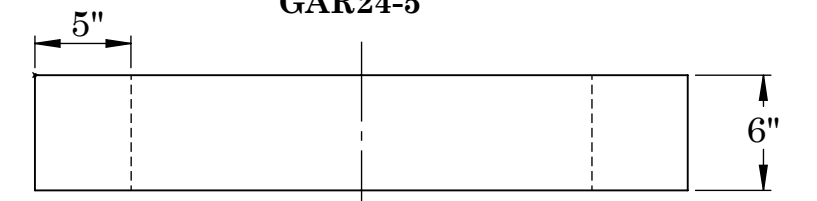
GAR24-3



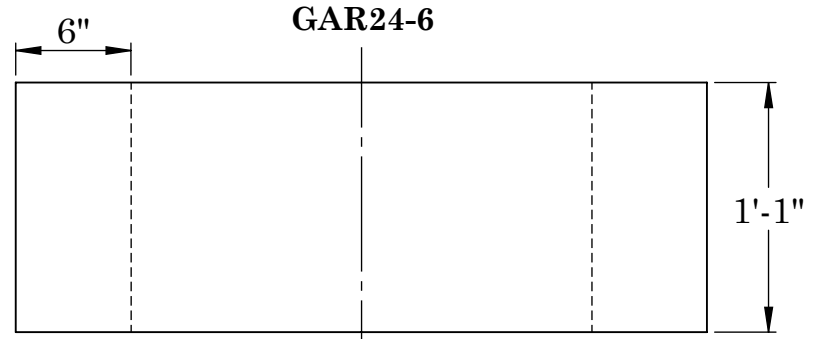
GAR24-4



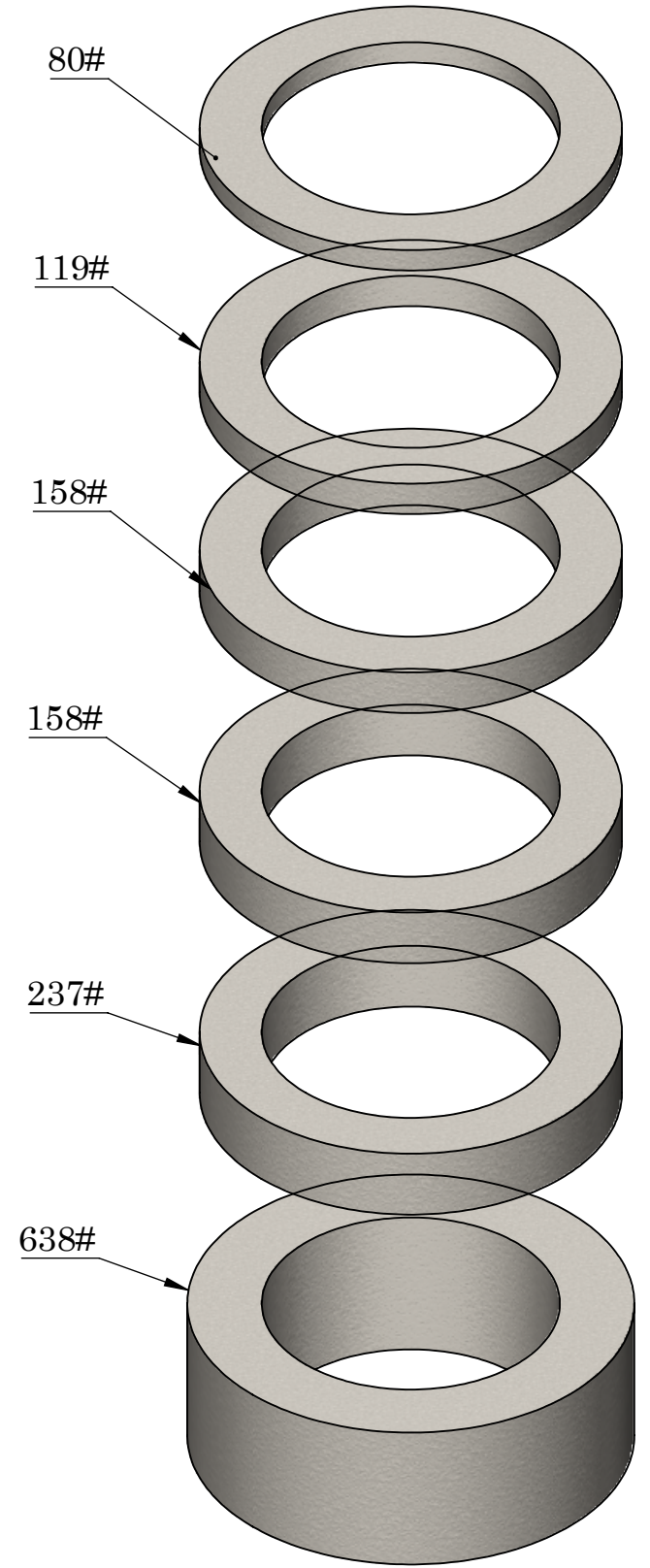
GAR24-5



GAR24-6



GAR24-13



D

C

B

A

A

REINFORCEMENT:
 -2",3",4",5", & 6" RINGS CONTAIN 1 HOOP OF #4 BAR
 -13" RING CONTAINS 2 HOOPS OF #4 BAR



2215 E. BROOKLYN AVE
 SPOKANE, WA 99217
 TOLL FREE 1-800-888-4573
 (509) 325-4573 FAX (509) 325-5098
 SPOKANE - LEWISTON - YAKIMA
 www.wilbertprecast.com

TITLE: Ø24" I.D. GRADE ADJUSTMENT RINGS			
SIZE B	DWG. NO. GAR24-2, GAR24-3, GAR24-4 GAR24-5, GAR 24-6, GAR24-13	SCALE: NTS	DATE: 12/17/2025

8 7 6 5 4 3 2 1