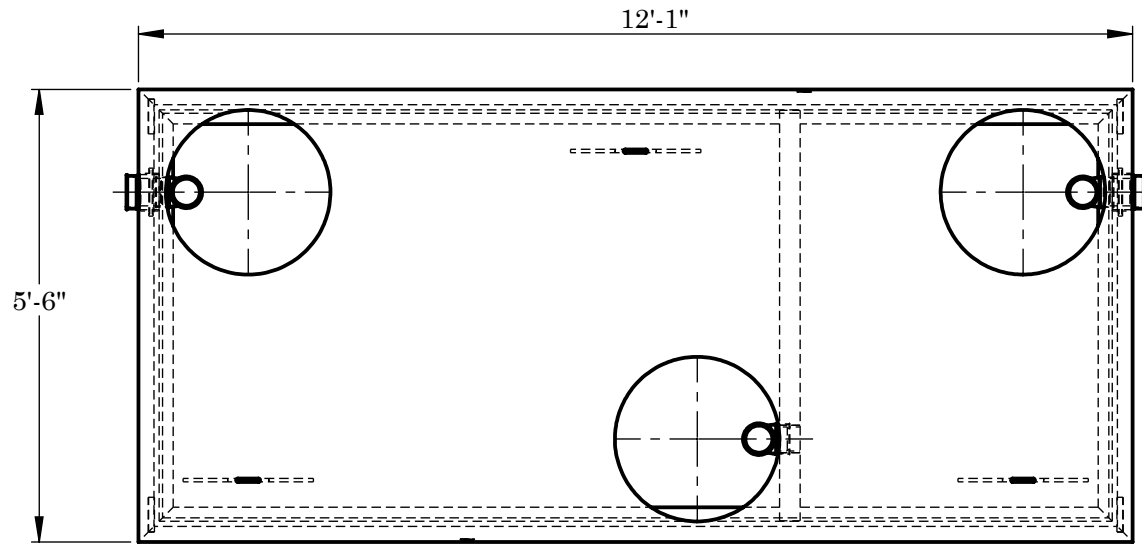
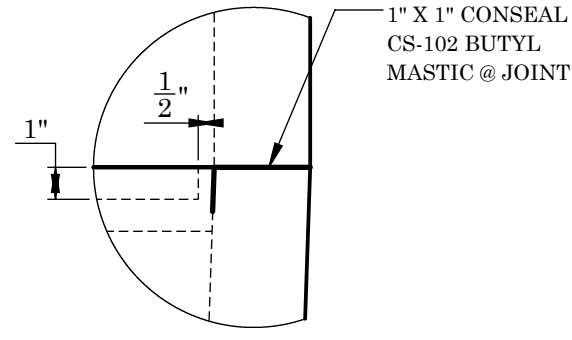


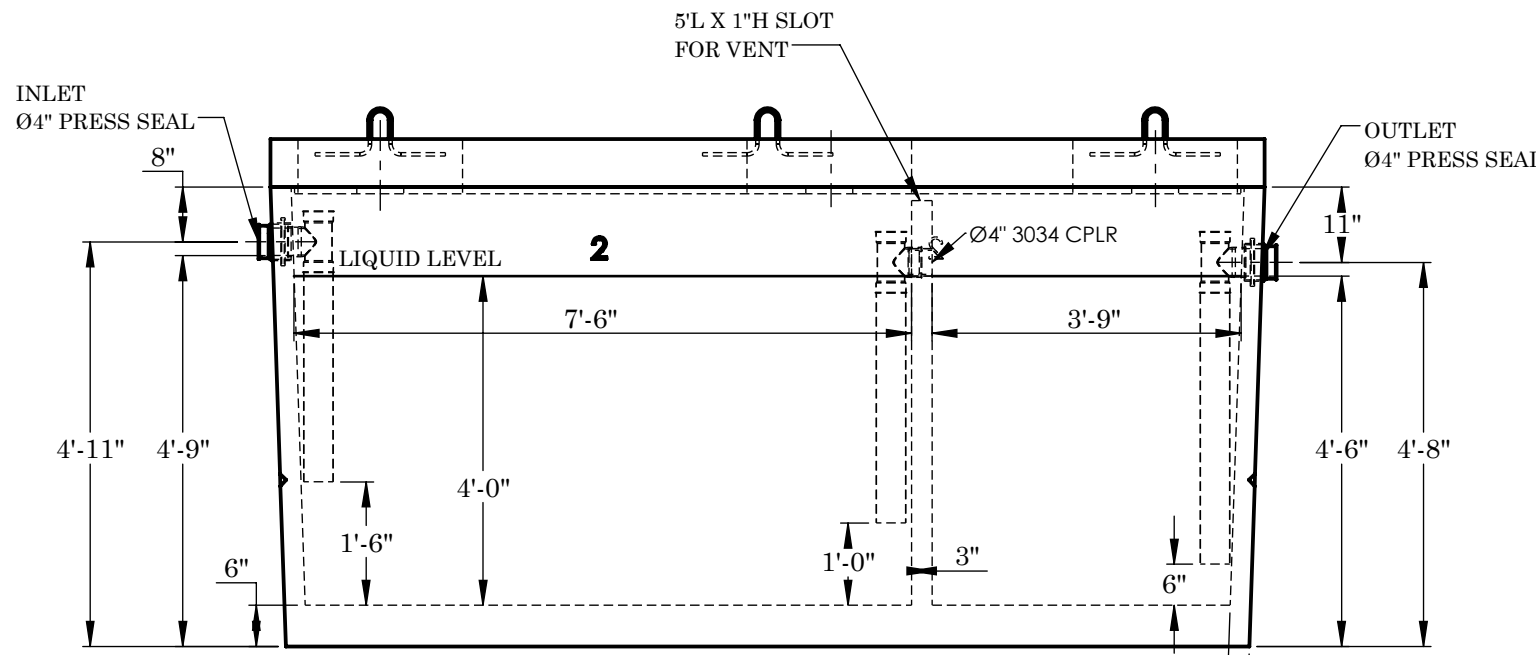
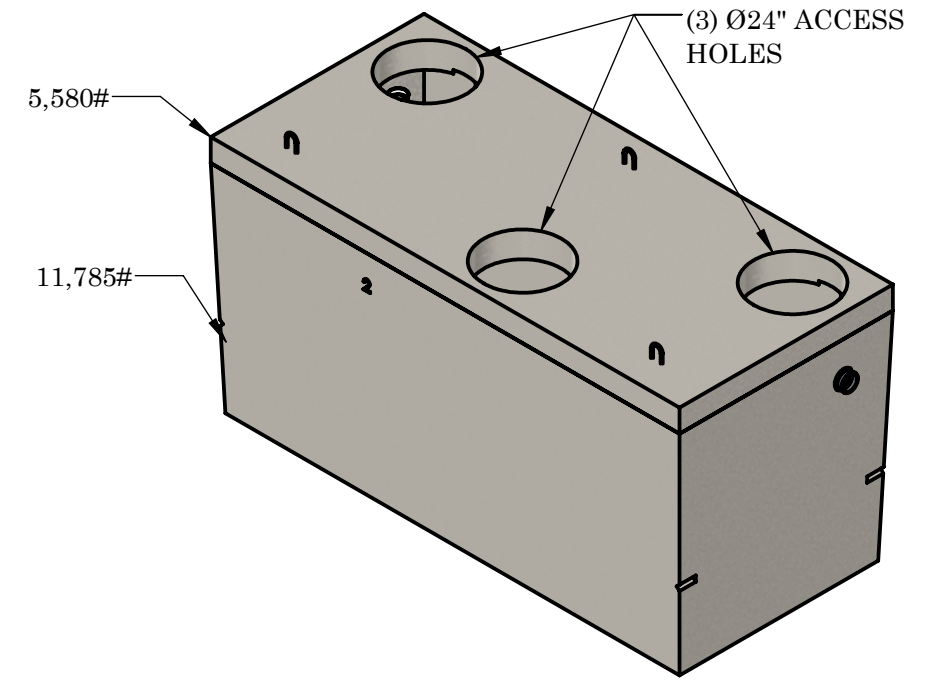
8 7 6 5 4 3 2 1



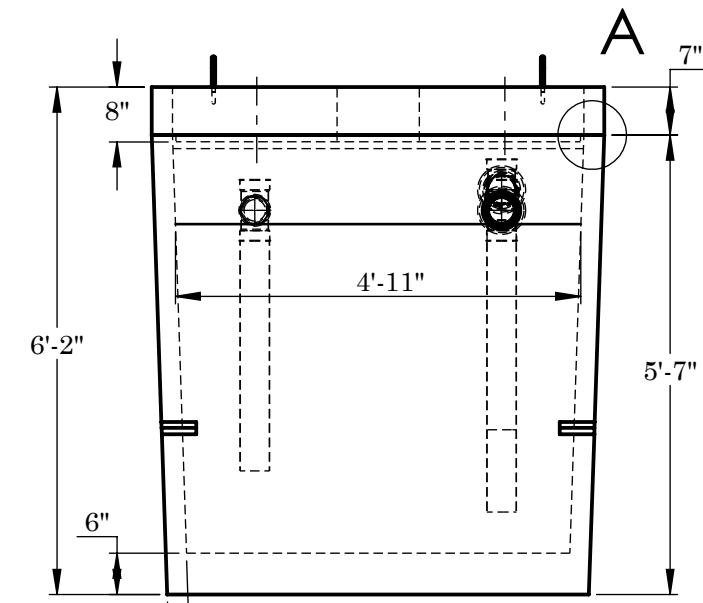
**TOP VIEW**



**JOINT DETAIL A**



**FRONT VIEW**



**RIGHT VIEW**

**CONCRETE:**  
TANK CONSTRUCTION UTILIZES 4000 PSI CONCRETE AND GRADE 60 REBAR.

**GALLON CALCS:**  
4'-11"W x 7'-6"L x 4'-0"H x 7.48 = 1103.3 GALLONS  
4'-11"W x 3'-9"L x 4'-0"H x 7.48 = 552 GALLONS

**RISERS:**  
PVC : Ø24" & FIB. COVER (TO GRADE)  
CONCRETE: Ø24" x 8" OR 12" (6" BELOW GRADE)

**BEDDING :**  
4" PEA GRAVEL OR COMPACTED CRUSHED GRAVEL (NO WATER PRESENT)

**EXCAVATION:**  
12" LARGER EACH WAY THAN TANK DIM.  
MAX COVER ON TOP 5'-0"

**REINFORCEMENT:**

- #5 BARS @ 6" O.C.E.W. IN TOP, (2)
- #4 EACH SIDE OF ACCESS
- 6X6 10 GA WIRE MESH IN SIDES UP 12" FROM BOTTOM
- 6X6 10 GA WIRE MESH IN BOTTOM
- #3 BAR 12" DOWN FROM TOP HORIZONTAL CONTINUOUS LOOP



**2215 E. BROOKLYN AVE  
SPOKANE, WA 99217  
TOLL FREE 1-800-888-4573  
(509) 325-4573 FAX (509) 325-5098  
SPOKANE - LEWISTON - YAKIMA  
www.wilbertprecast.com**

**TITLE:**

**1500 GALLON DOUBLE COMPARTMENT  
MONO GREASE INTERCEPTOR - HEAVY**

**SIZE**

**B**

**DWG. NO.**

**1634MGTTB**

**SCALE:**

NTS

**DATE:**

5/27/2026

DRAWN BY:  
TH

8 7 6 5 4 3 2 1