

8 7 6 5 4 3 2 1

D

C

B

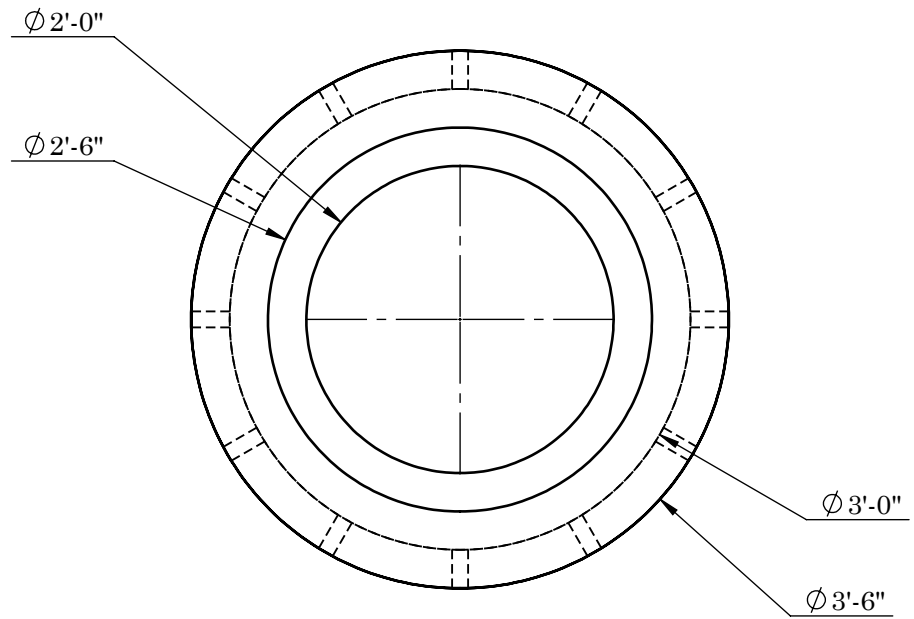
A

D

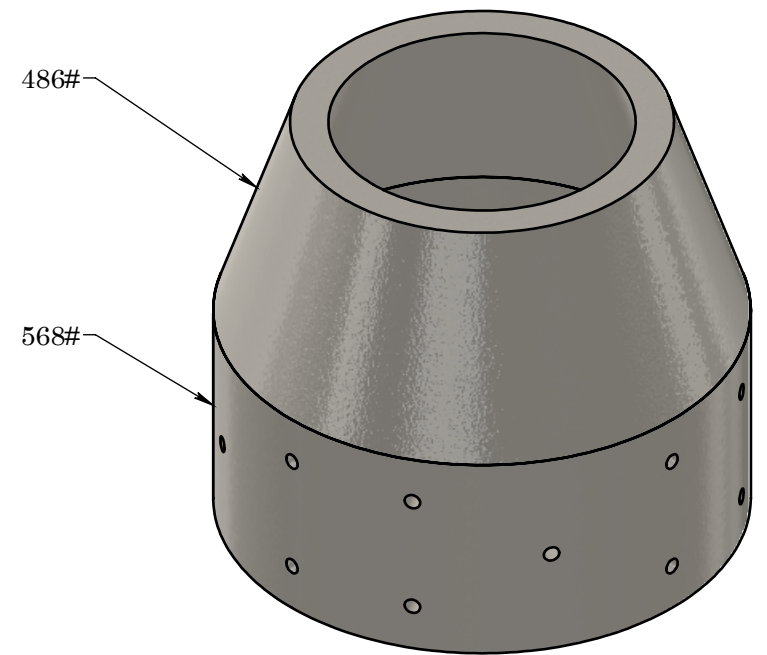
C

B

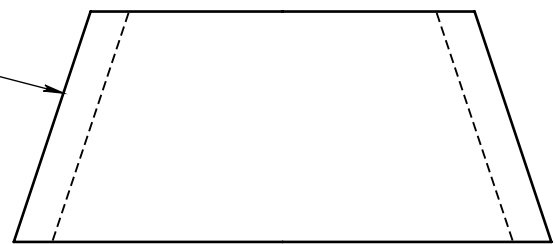
A



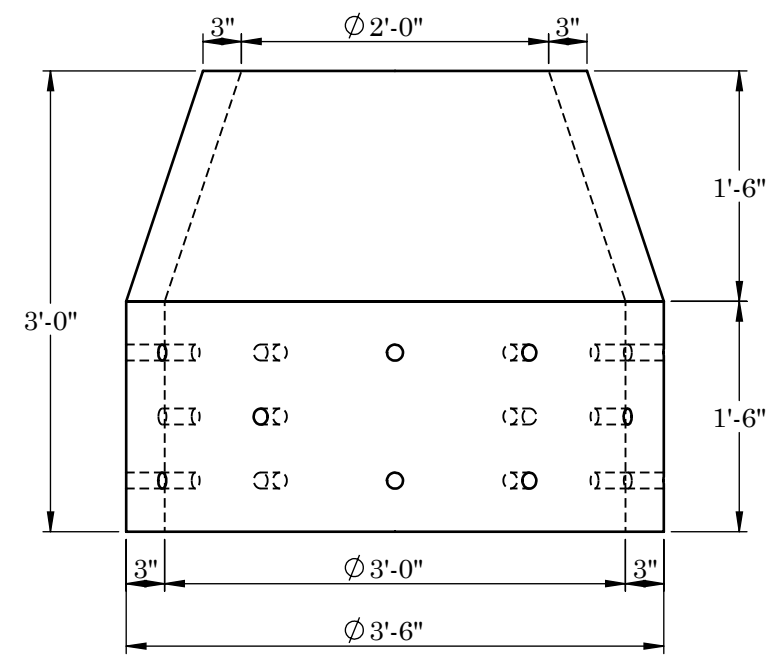
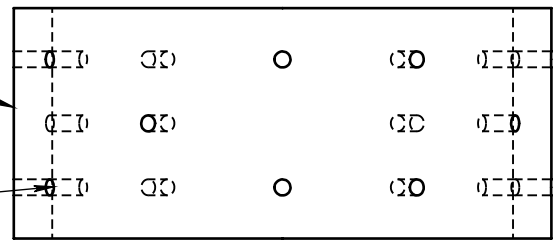
PLAN VIEW



MINI DRYWELL CONE
(PRODUCT # 1801S)



MINI DRYWELL BARREL
(PRODUCT # 1802S)



FRONT VIEW

REINFORCEMENT:
-SEE INDIVIDUAL DRAWINGS



2215 E. BROOKLYN AVE
SPOKANE, WA 99217
TOLL FREE 1-800-888-4573
(509) 325-4573 FAX (509) 325-5098
SPOKANE - LEWISTON - YAKIMA
www.wilbertprecast.com

TITLE:
130 GALLON MINI DRYWELL

SIZE B	DWG. NO. 1802S/1801S	SCALE: NTS	DATE: 6/25/2026
-------------------------	--------------------------------	----------------------	---------------------------

8 7 6 5 4 3 2 1