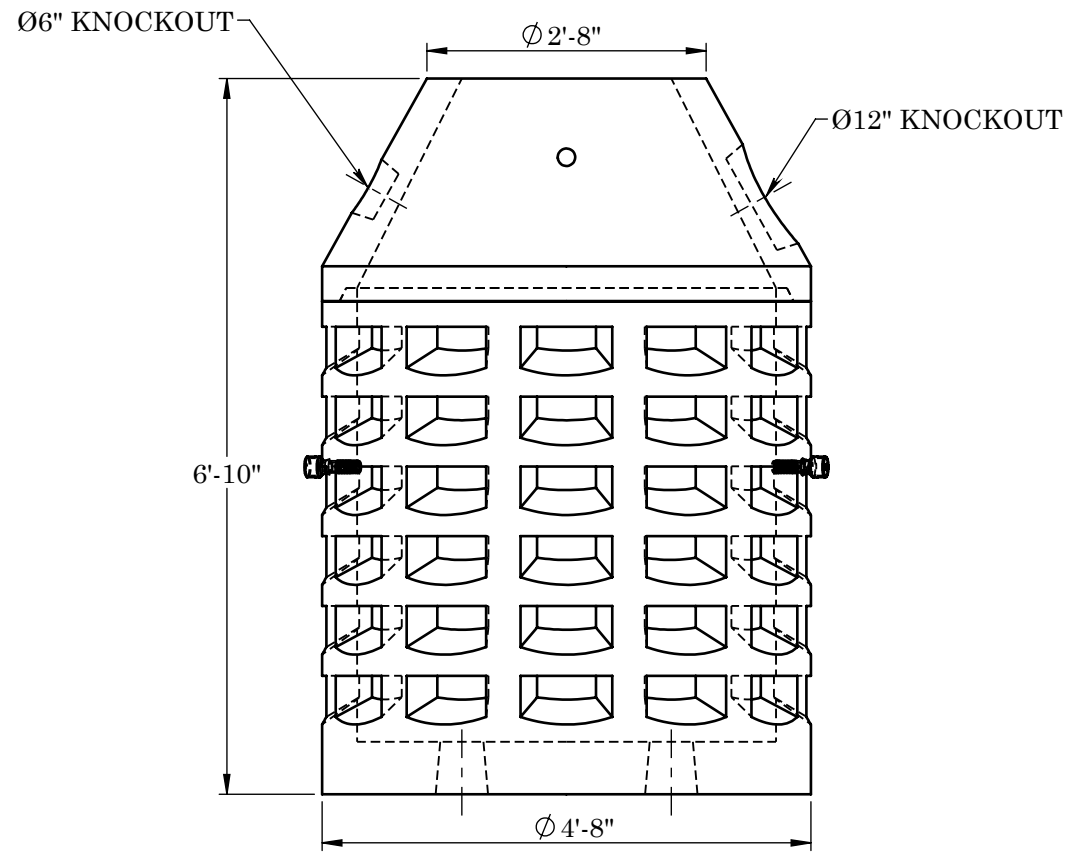
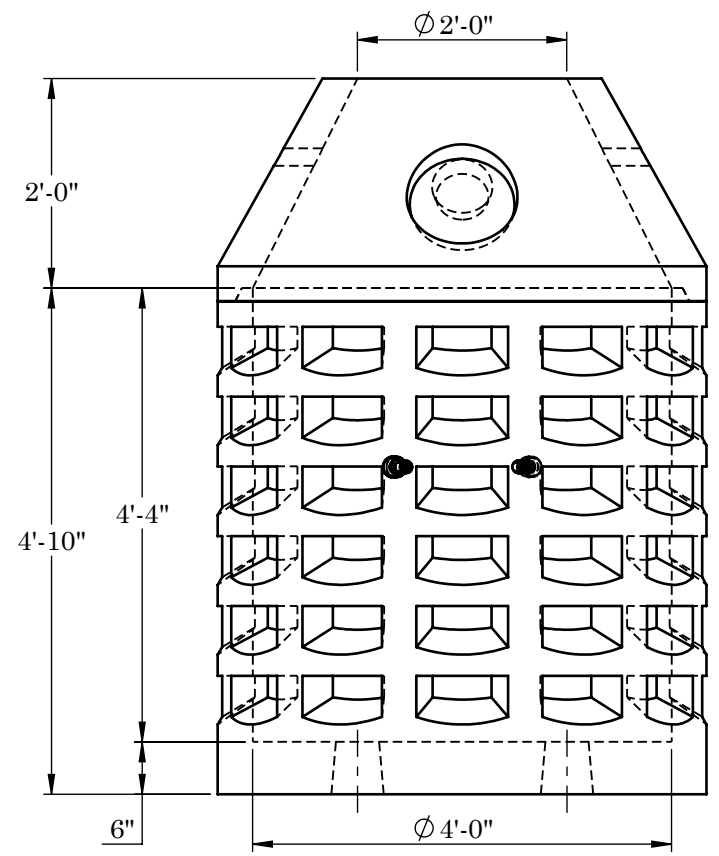


TOP VIEW



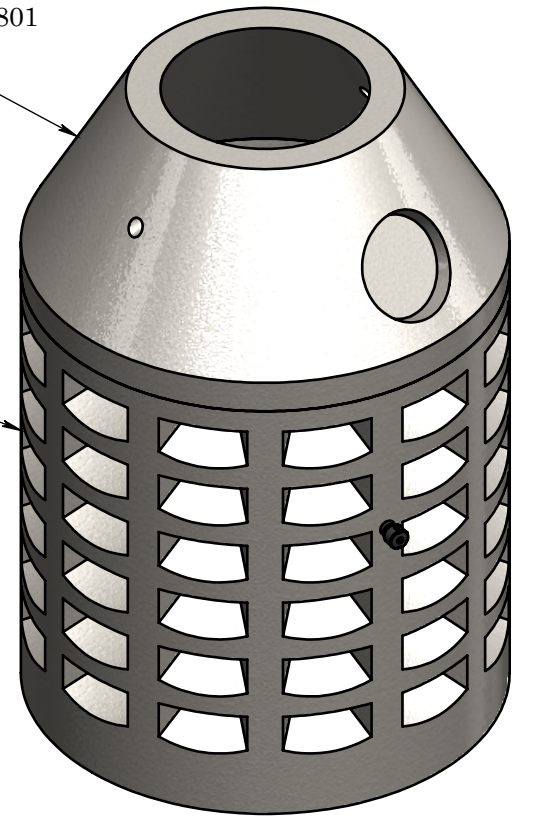
FRONT VIEW



RIGHT VIEW

DRYWELL CONE
PRODUCT #1801
1262#

4'-4" DRYWELL BASE
PRODUCT #1803
3252#



REINFORCEMENT:
SEE INDIVIDUAL PIECE DRAWING FOR REINFORCEMENT



2215 E. BROOKLYN AVE
SPOKANE, WA 99217
TOLL FREE 1-800-888-4573
(509) 325-4573 FAX (509) 325-5098
SPOKANE - LEWISTON - YAKIMA
www.wilbertprecast.com

TITLE: 500 GALLON SINGLE DEPTH DRYWELL
CITY OF SPOKANE VALLEY TYPE A STD PLAN S-101
SPOKANE COUNTY TYPE A STD PLAN B-1
WSDOT STD PLAN B-20.20-02, ITD-605.35

SIZE B	DWG. NO. #1801, #1803	SCALE: NTS	DATE: 6/25/2026
-------------------------	---------------------------------	----------------------	---------------------------

D
C
B
A

D
C
B
A

8 7 6 5 4 3 2 1

8 7 6 5 4 3 2 1