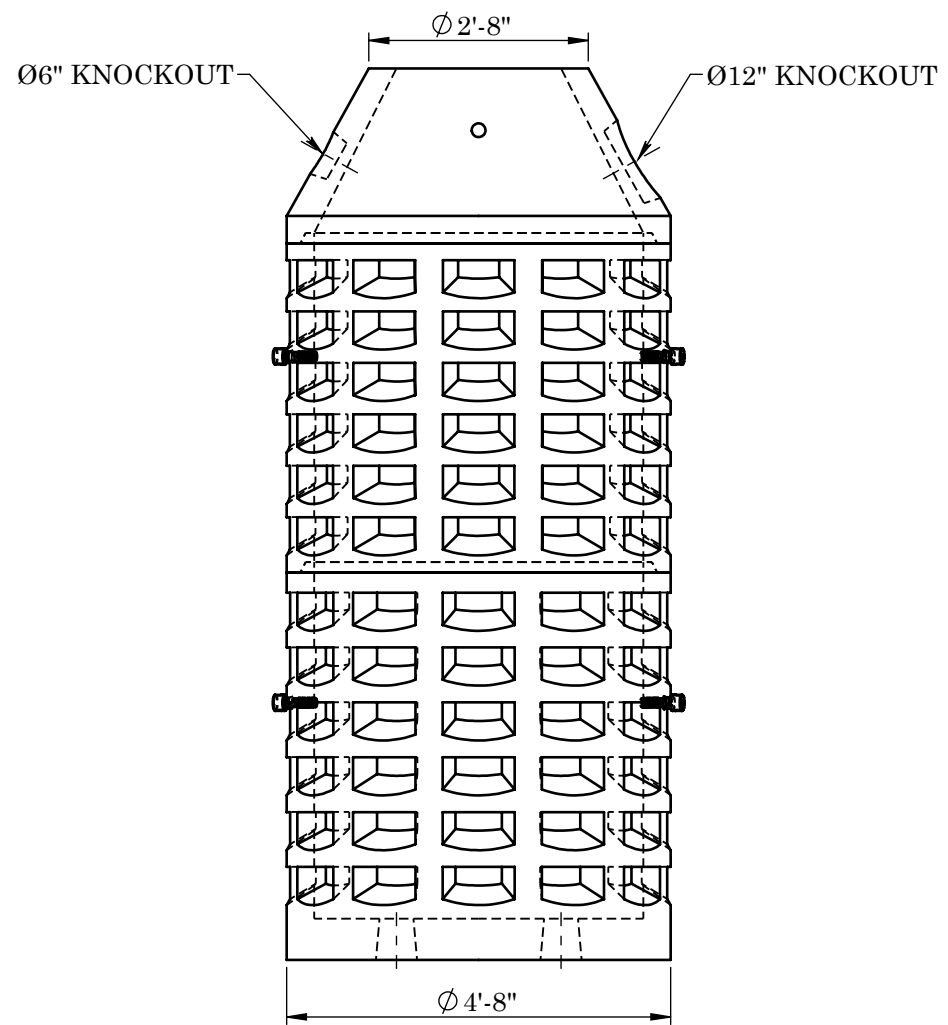
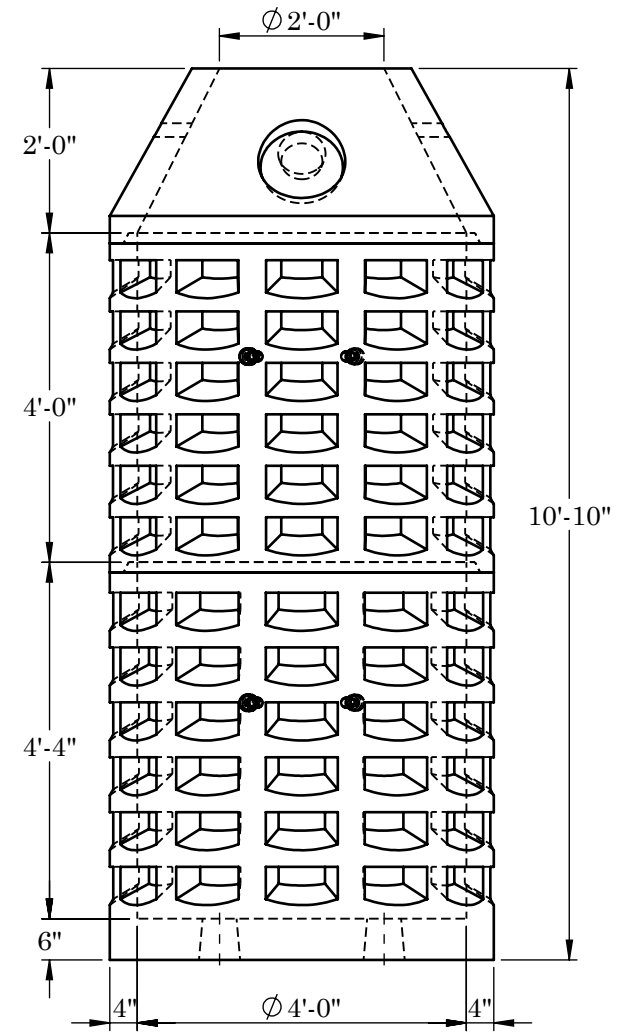


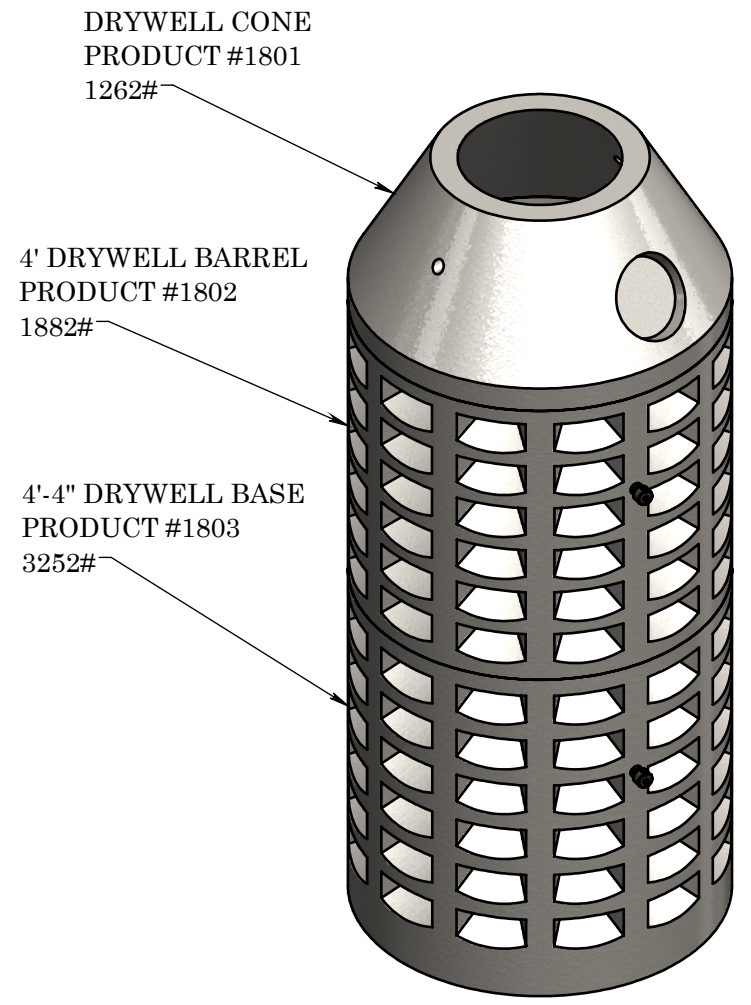
**TOP VIEW**



**FRONT VIEW**



**RIGHT VIEW**



**REINFORCEMENT:**  
SEE INDIVIDUAL PART DRAWINGS FOR REINFORCEMENT



2215 E. BROOKLYN AVE  
 SPOKANE, WA 99217  
 TOLL FREE 1-800-888-4573  
 (509) 325-4573 FAX (509) 325-5098  
 SPOKANE - LEWISTON - YAKIMA  
 www.wilbertprecast.com

**TITLE:** 1000 GALLON DOUBLE DEPTH DRYWELL  
 SPOKANE VALLEY TYPE B STD PLAN S-101  
 CITY OF SPOKANE TYPE 2 STD PLAN B-102D  
 SPOKANE COUNTY TYPE B STD PLAN B-1  
 WSDOT PLAN B-20.20-02, ITD 605.35

<b>SIZE</b> <b>B</b>	<b>DWG. NO.</b> #1803 - #1802 - #1801	<b>SCALE:</b> NTS	<b>DATE:</b> 6/25/2026
-------------------------	--	----------------------	---------------------------