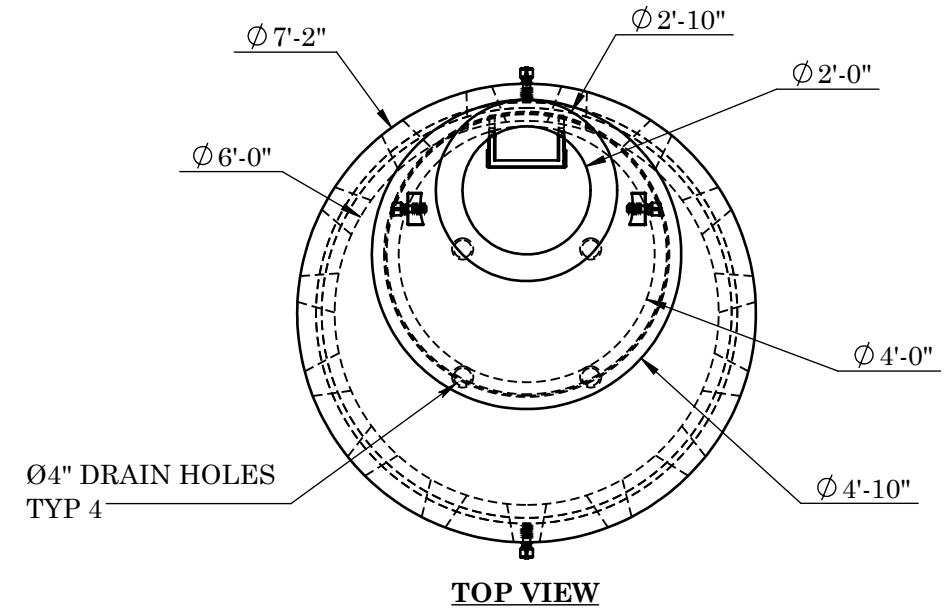


8 7 6 5 4 3 2 1

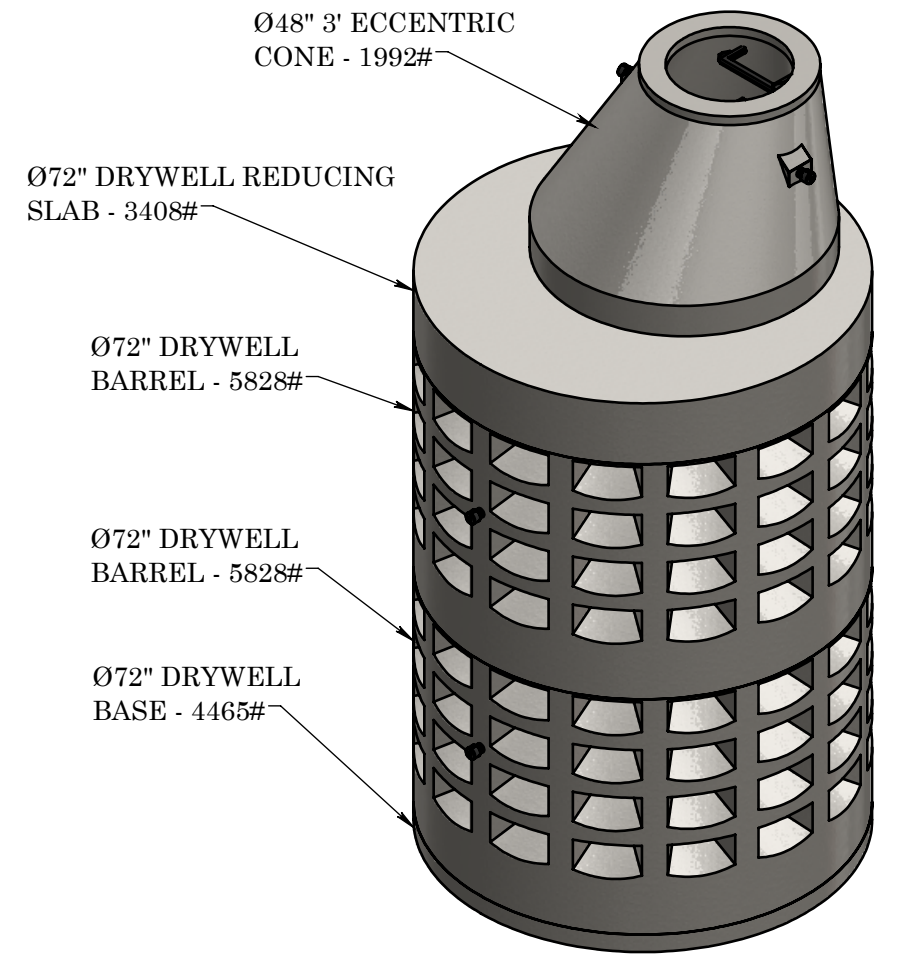
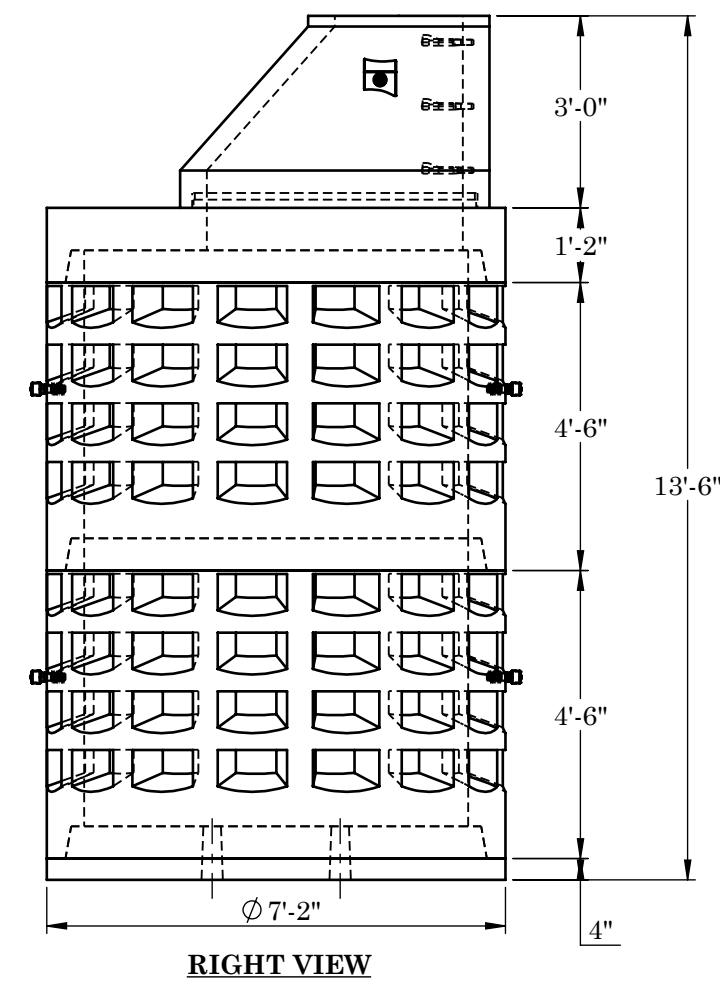
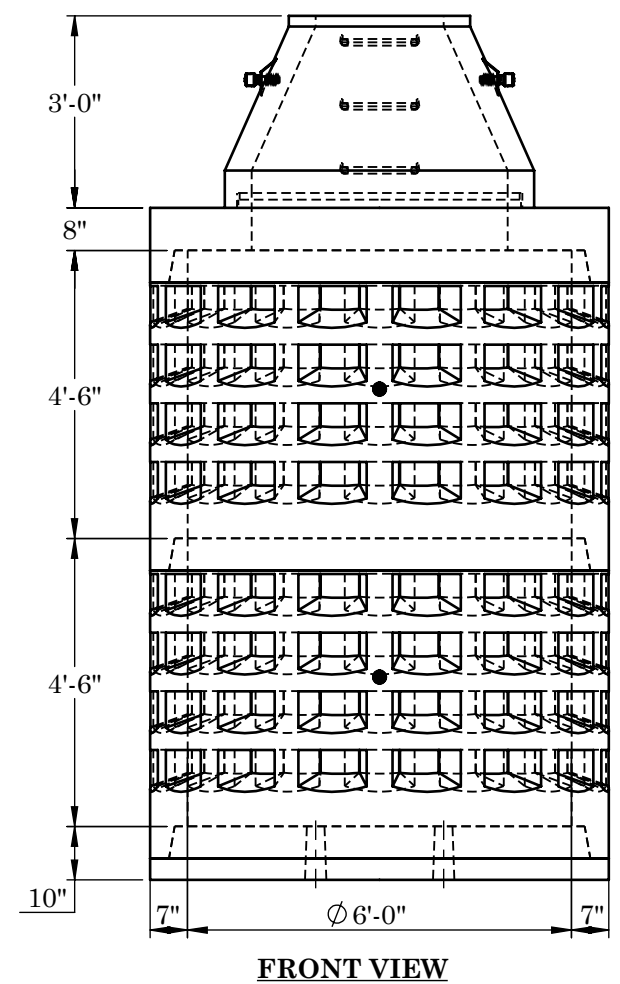
D

D



C

C



B

B

A

A

REINFORCEMENT:
SEE INDIVIDUAL PIECE DRAWINGS FOR REINFORCEMENT



2215 E. BROOKLYN AVE
SPOKANE, WA 99217
TOLL FREE 1-800-888-4573
(509) 325-4573 FAX (509) 325-5098
SPOKANE - LEWISTON - YAKIMA
www.wilbertprecast.com

TITLE:			
Ø 72" DOUBLE DEPTH DRYWELL			
SIZE	DWG. NO.	SCALE:	DATE:
B	DOUBLE DEPTH DRYWELL	NTS	6/25/2026

8 7 6 5 4 3 2 1