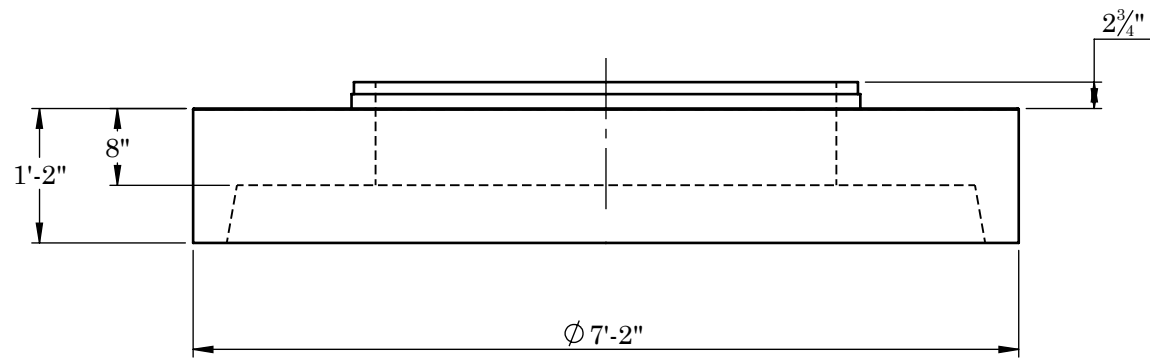
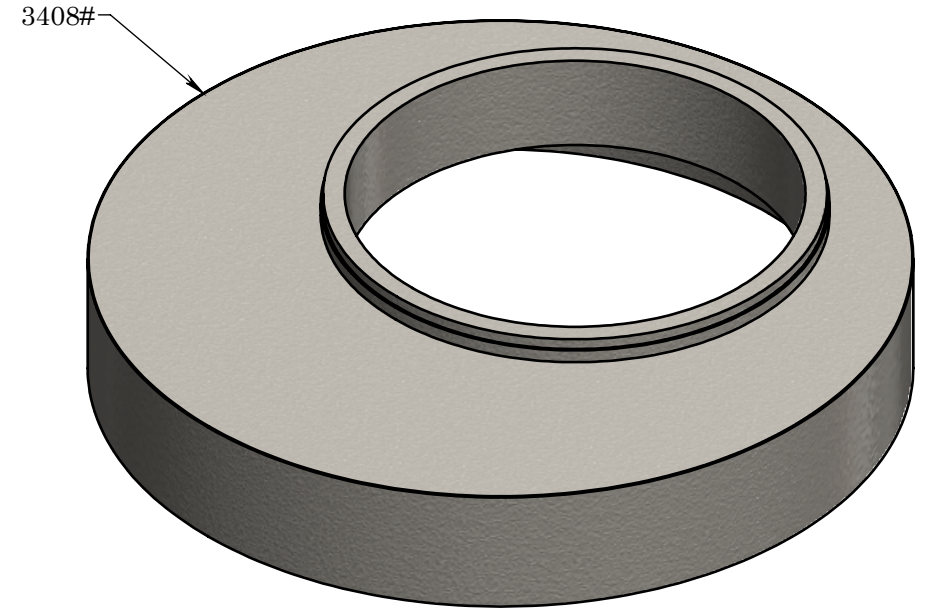
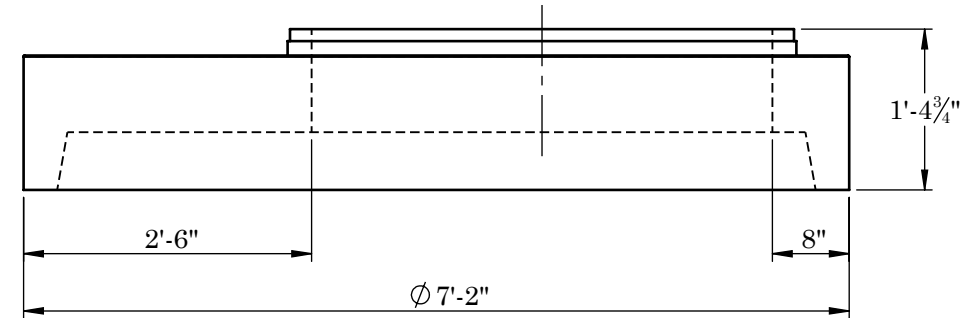


TOP VIEW



FRONT VIEW



RIGHT VIEW

REINFORCEMENT:

- #5 BAR @ 6" O.C.
- 2" CLR FROM EDGES
- EXTRA #5 BAR AROUND OPENING



2215 E. BROOKLYN AVE
 SPOKANE, WA 99217
 TOLL FREE 1-800-888-4573
 (509) 325-4573 FAX (509) 325-5098
 SPOKANE - LEWISTON - YAKIMA
 www.wilbertprecast.com

TITLE:

Ø72" DRYWELL FST REDUCING SLAB

SIZE

B

DWG. NO.

Ø72" FST

SCALE:

NTS

DATE:

6/25/2026

REV: A
 DRAWN FOR:
 DRAWN BY: TH