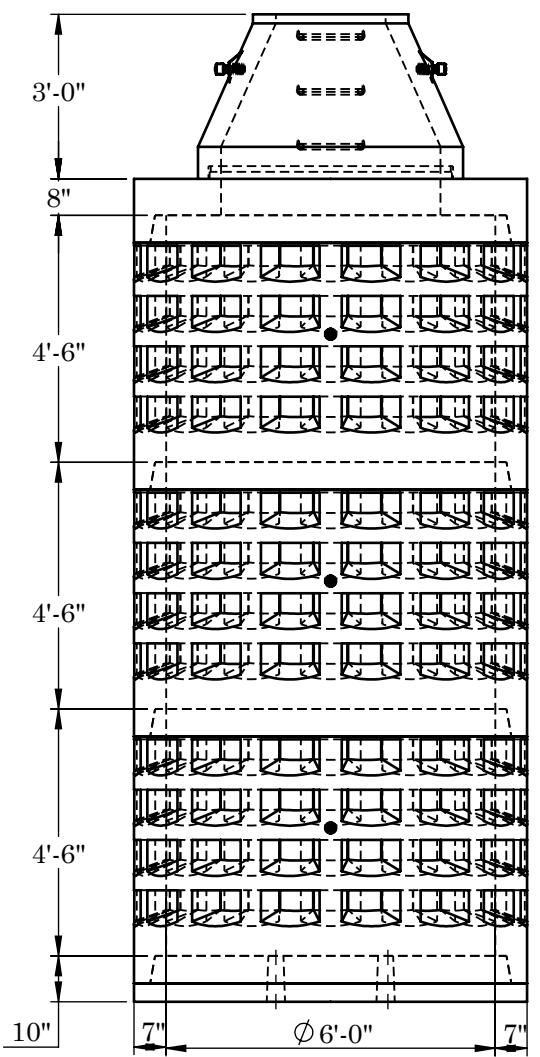
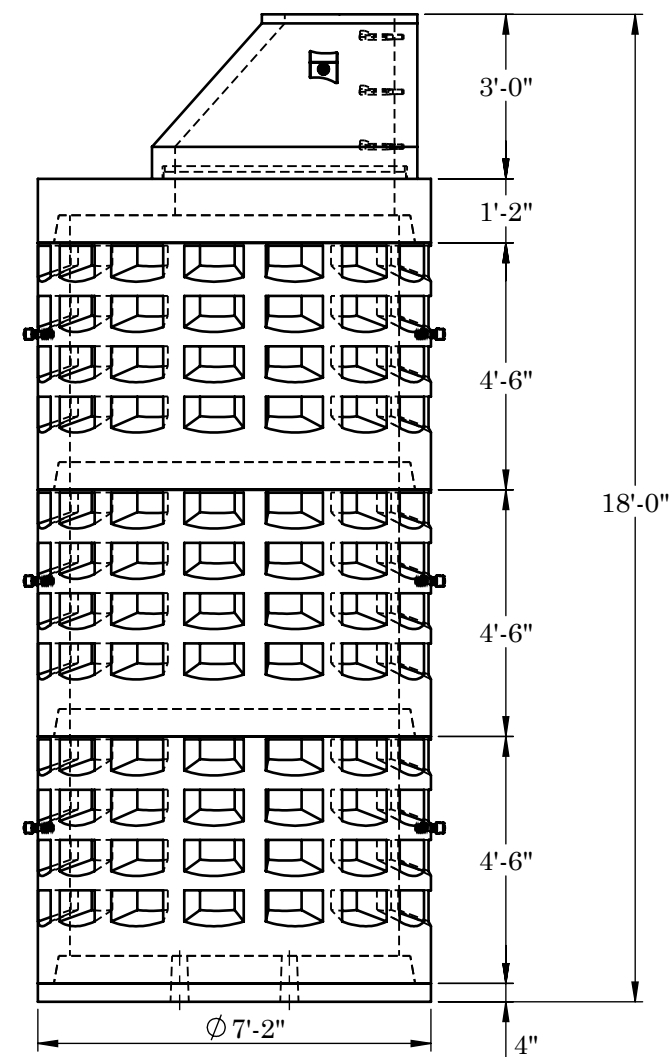


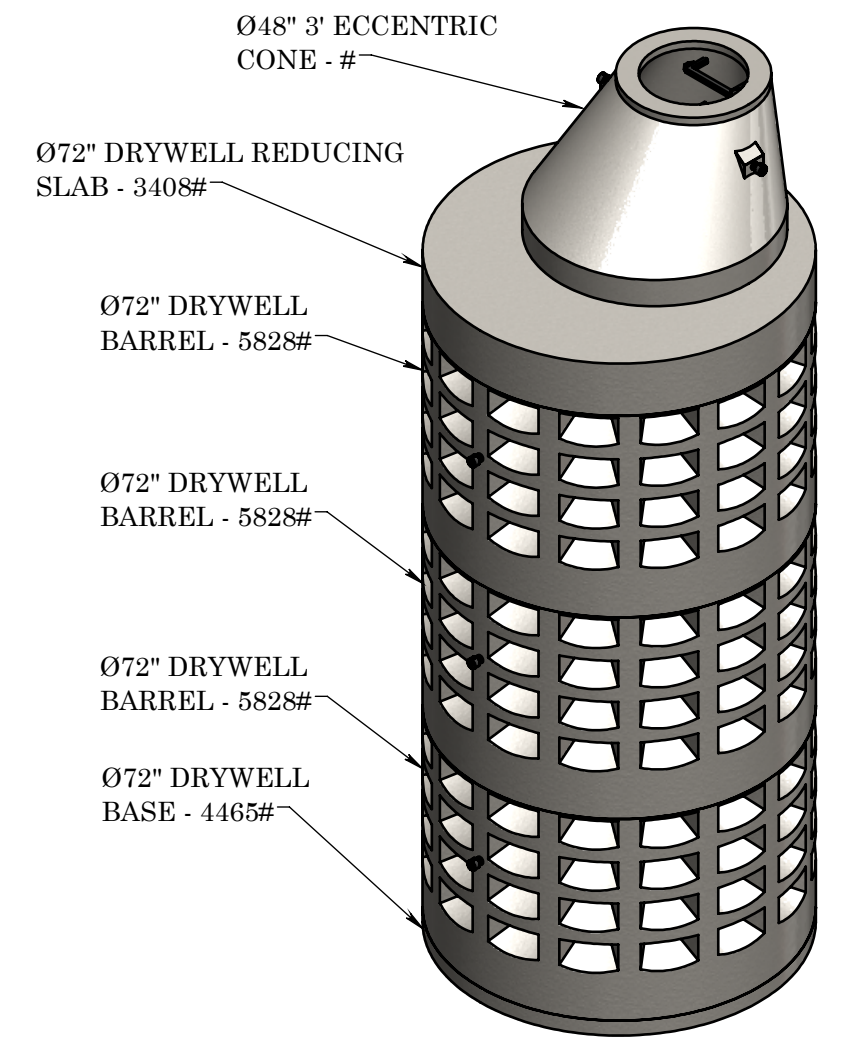
TOP VIEW



FRONT VIEW



RIGHT VIEW



REINFORCEMENT:
SEE INDIVIDUAL PIECE DRAWINGS FOR
REINFORCEMENT



2215 E. BROOKLYN AVE
SPOKANE, WA 99217
TOLL FREE 1-800-888-4573
(509) 325-4573 FAX (509) 325-5098
SPOKANE - LEWISTON - YAKIMA
www.wilbertprecast.com

TITLE:
Ø 72" TRIPLE DEPTH DRYWELL

SIZE B	DWG. NO. TRIPLE DEPTH DRYWELL	SCALE: NTS	DATE: 6/25/2026
-------------------------	---	----------------------	---------------------------

D
C
B
A

D
C
B
A

8 7 6 5 4 3 2 1

8 7 6 5 4 3 2 1