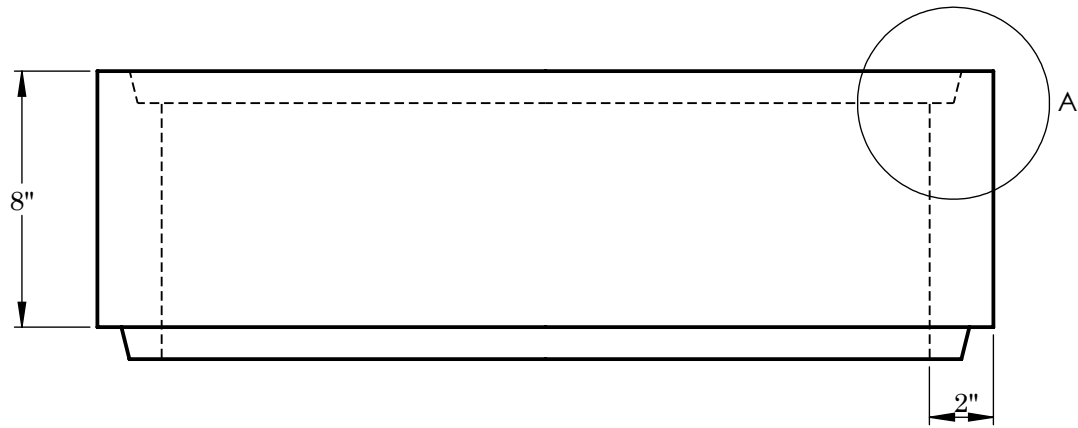
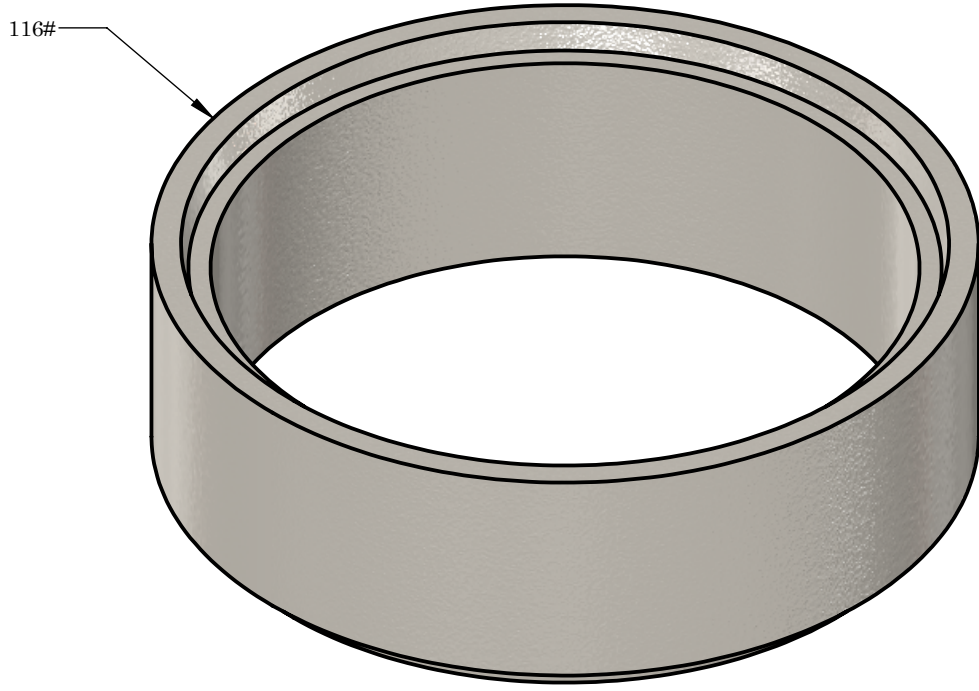
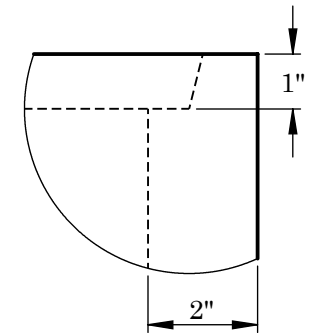


TOP VIEW



FRONT VIEW



**SHIPLAP
DETAIL A**

REINFORCEMENT:

-4" X 4" 14 GA.



**2215 E. BROOKLYN AVE
SPOKANE, WA 99217
TOLL FREE 1-800-888-4573
(509) 325-4573 FAX (509) 325-5098
SPOKANE - LEWISTON - YAKIMA
www.wilbertprecast.com**

DRAWN BY:
TH

TITLE:

8" x Ø24" I.D. SEPTIC TANK RISER

SIZE B	DWG. NO. 1648-8	SCALE: NTS	DATE: 7/6/2026
-------------------------	---------------------------	----------------------	--------------------------